

东莞市志展五金塑胶制品有限公司

ZHI ZHAN HARDWARE PLASTIC PRODUCTS CO.,LTD

TEL:0769-81802125 FAX:0769-81802126

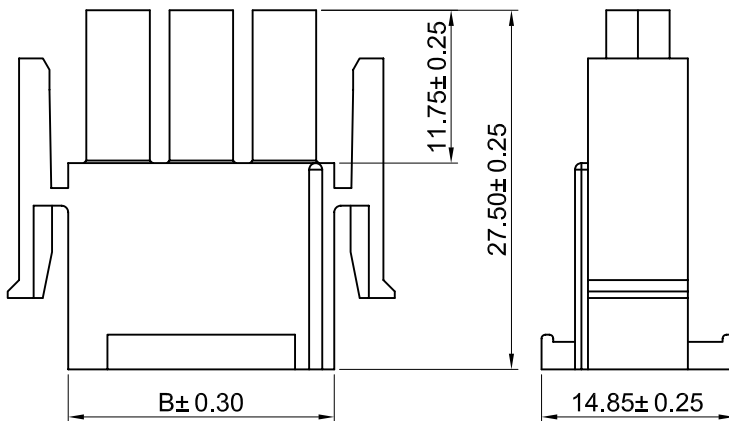
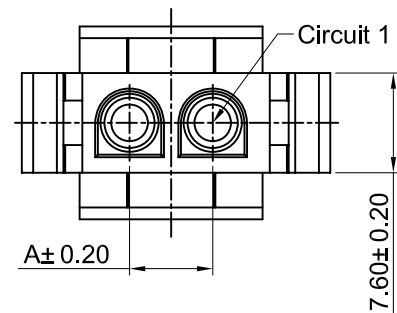
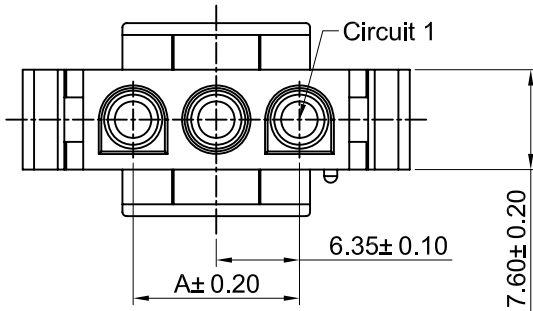
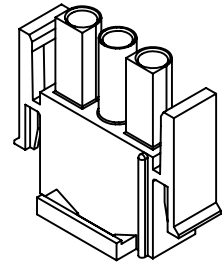
DOCUMENT NO.

RDE0191A

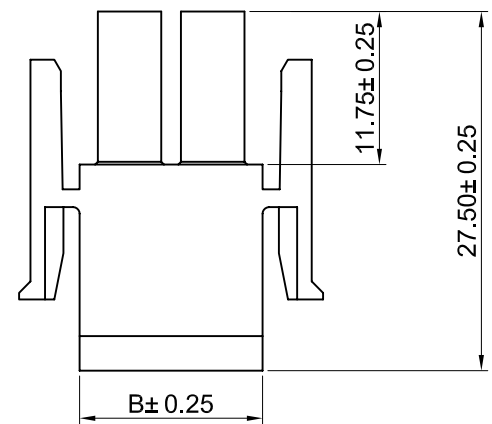
SERIAL NO.

C6352H0*-NP

Material: Nylon 66, UL94V-0/2



3P~6P



2P

SPECIFICATIONS

Current Rating: 15A AC,DC
 Voltage Rating: 600V AC,DC
 Temperature Range: -25° C ~ +85° C
 Contact Resistance: 3.5mΩ Max
 Insulation Resistance: 1000MΩ Min
 Withstanding Voltage: 5000V AC/minute

Ordering Information & Dimensions:

| PART NO. | Dimensions | |
|-------------|------------|-------|
| | A | B |
| C6352H02-2P | 6.35 | 13.97 |
| C6352H02-3P | 12.70 | 20.32 |
| C6352H02-4P | 19.05 | 26.67 |
| C6352H02-5P | 25.40 | 33.02 |
| C6352H02-6P | 31.75 | 39.37 |

| REV. | ECN NO. | UNIT | TOLERANCE | PROJECTION | DRAWING | CHECK | APPROVAL |
|------|-------------|------|----------------------------------|------------|---------|-------|----------|
| △ | NEW DRAWING | mm | *** ±0.08 ** ±0.15 * ±0.25 | | 邹朝辉 | ——— | 余望明 |

东莞市志展五金塑胶制品有限公司

ZHI ZHAN HARDWARE PLASTIC PRODUCTS CO.,LTD

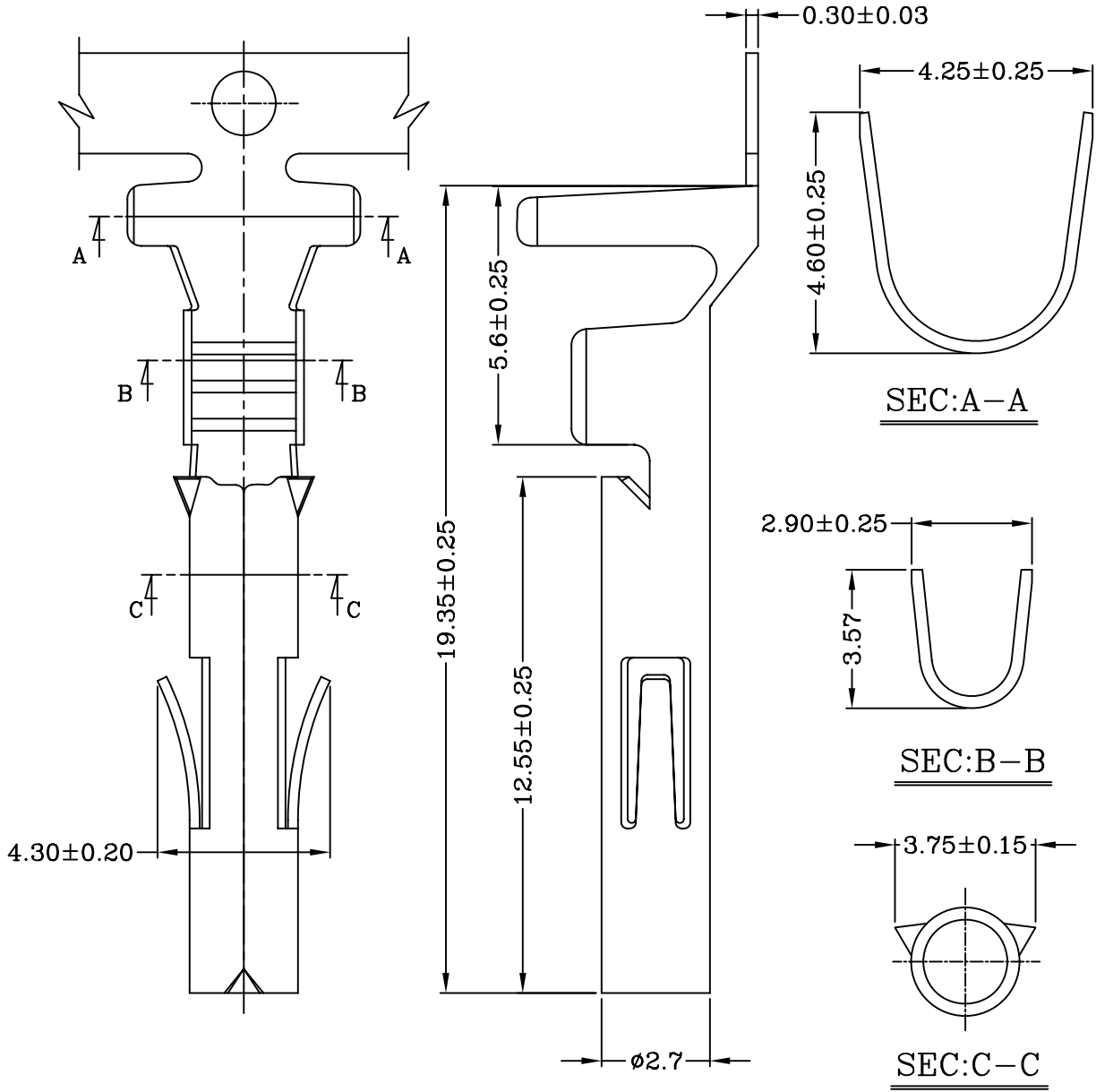
TEL:0769-81802125 FAX:0769-81802126

DOCUMENT NO.

RDE0189A

SERIAL NO.

C6352T0*-2(E)



Specifications & Ordering Information:

| Part No | Wire Range | Insulation O.D. | Material | Finish | Qty/reel |
|-------------|-------------|-----------------|-----------------|------------|-----------|
| C6352T0B-2E | AWG #14~#20 | 3.30mm(max) | brass | Tin-plated | 5,000 PCS |
| C6352T0P-2E | AWG #14~#20 | 3.30mm(max) | Phosphor bronze | Tin-plated | 5,000 PCS |

| REV. | ECN NO. | UNIT | TOLERANCE | PROJECTION | DRAWING | CHECK | APPROVAL |
|---------------|-------------|------|---|------------|---------|-------|----------|
| $\triangle A$ | NEW DRAWING | mm | *** ± 0.08 ** ± 0.15 * ± 0.25 | | 邹朝辉 | — | 余望明 |