

东莞市志展五金塑胶制品有限公司

DongGuan ZhiZhan Hardware Plastic Products Co., LTD

TEL:0769-81802125

FAX:0769-81802126

DOCUMENT NO.

RDE0269A

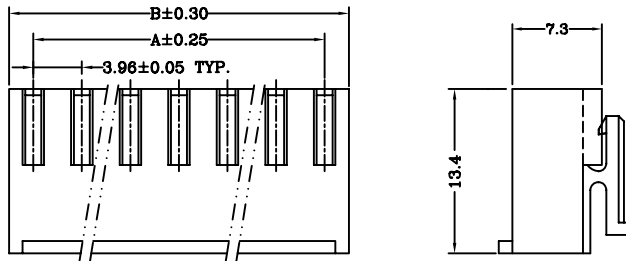
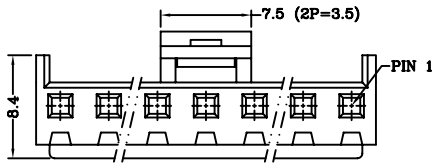
SERIAL NO.

A3963H00-NP

Material:Nylon 66 UL94V-0(White)

Specifications:

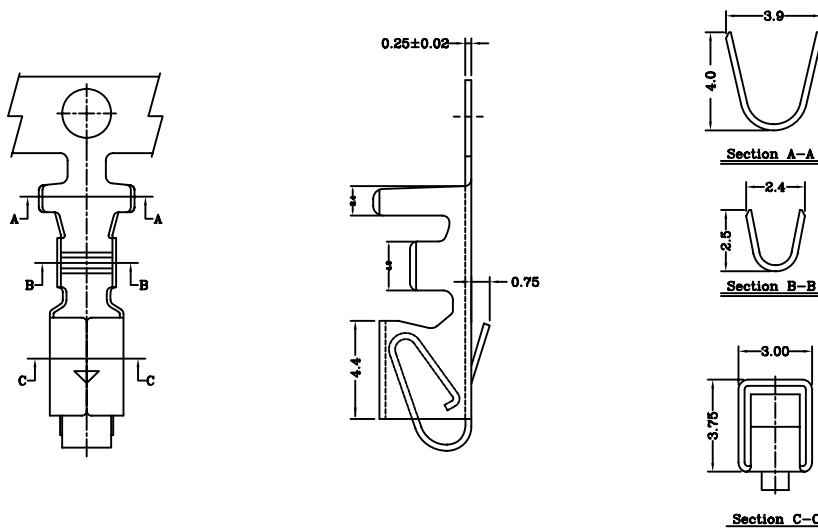
Poles	2-16Poles
Pitch between poles	3.96mm
Rated Voltage	250V AC,DC
Rated Current	10A(AWG#16)
Withstand Voltage	1500V AC/minute
Contact Resistance	10mΩ (MAX).
Insulation Resistance	1000mΩ(MIN).
Temperature Range	-25°C ~ +85°C*
Applicable Wire Range	AWG #14~#22



Dimensional & Ordering Information:

Circuits	Part No	Dimensions	
		A	B
2	A3963H00-2P	3.96	7.86
3	A3963H00-3P	7.92	11.82
4	A3963H00-4P	11.88	15.78
5	A3963H00-5P	15.84	19.74
6	A3963H00-6P	19.80	23.70
7	A3963H00-7P	23.76	27.66
8	A3963H00-8P	27.72	31.62
9	A3963H00-9P	31.68	35.58
10	A3963H00-10P	35.64	39.54
11	A3963H00-11 P	39.60	43.50
12	A3963H00-12P	43.56	47.46
13	A3963H00-13P	47.52	51.42
14	A3963H00-14P	51.48	55.38
15	A3963H00-15P	55.44	59.34
16	A3963H00-16P	59.40	63.30

A3963 Series 3.96mm pitch crimp terminal



Specifications & Ordering Information:

Part No	Wire Range	Insulation O.D.	Material	Finish	Qty/reel
A3963TOP-2	AWG #18~#22	2.80mm(max)	Phosphor bronze	Tin-plated	4,500 PCS
A3963TOB-2	AWG #18~#22	2.80mm(max)	Brass	Tin-plated	4,500 PCS