

东莞市志展五金塑胶制品有限公司

DongGuan ZhiZhan Hardware Plastic Products Co., LTD

TEL:0769-81802125

FAX:0769-81802126

DOCUMENT NO.

RDE0311A

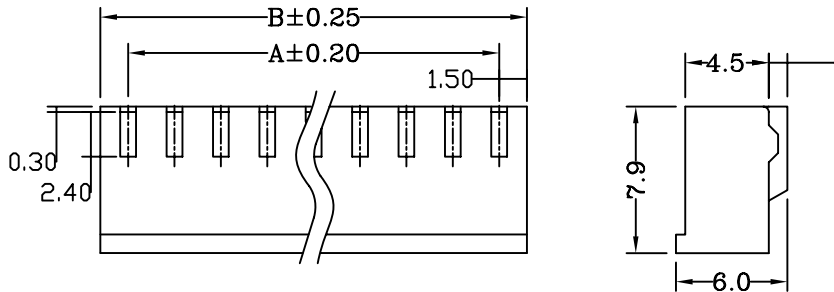
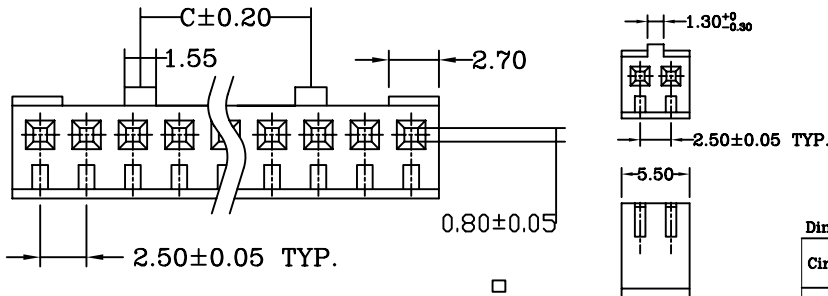
SERIAL NO.

A2507H02-NP

Material:Nylon 66 UL94V-0

Specifications:

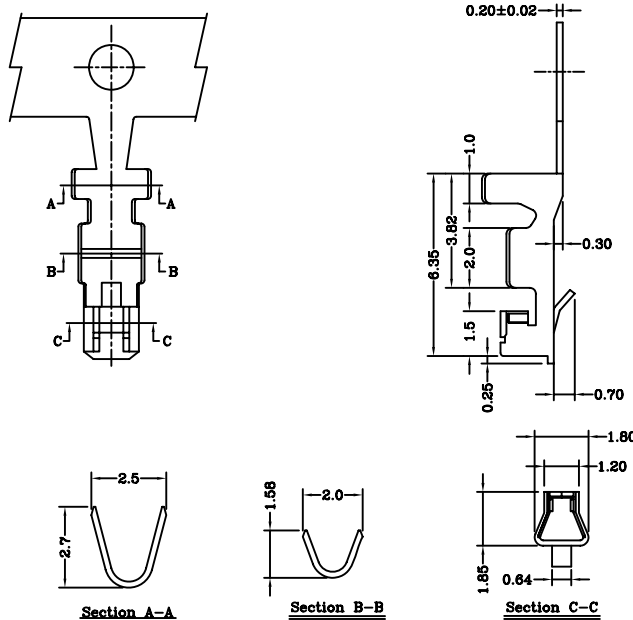
Poles	2-15Poles
Pitch between poles	2.50mm
Rated Voltage	250V AC,DC
Rated Current	2.5A(AWG#22)
Withstand Voltage	800V AC/minute
Contact Resistance	10mΩ(MAX)
Insulation Resistance	1000mΩ(MIN)
Temperature Range	-25°C ~ +85°C*
Applicable Wire Range	AWG #24 ~ #30



Dimensional & Ordering Information :

Circuits	Part No	Dimensions			PCS/BAG
		A	B	C	
4	A2507H02-4P	7.50	10.50	2.40	1000
5	A2507H02-5P	10.00	13.00	2.90	
6	A2507H02-6P	12.50	15.50	3.40	
7	A2507H02-7P	15.00	18.00	4.20	
8	A2507H02-8P	17.50	20.50	6.70	
9	A2507H02-9P	20.00	23.00	9.20	1000
10	A2507H02-10P	22.50	25.50	11.70	
11	A2507H02-11P	25.00	28.00	14.20	
12	A2507H02-12P	27.50	30.50	16.70	
13	A2507H02-13P	30.0	33.0		
14	A2507H02-14P	32.5	35.5		
15	A2507H02-15P	35.0	38.0		

A2507 Series 2.50mm pitch crimp terminal



Specification & Ordering Information :

Part No.	Wire Range	Insulation O.D.	Material	Finish	Qty/reel
A2507TOP-2	AWG #22~#28	1.90mm(max)	Phosphor bronze	Tin-Plated	10,000 PCS
A2507TOB-2	AWG #22~#28	1.90mm(max)	Brass	Tin-Plated	10,000 PCS