

东莞市志展五金塑胶制品有限公司

DongGuan ZhiZhan Hardware Plastic Products Co., LTD

TEL:0769-81802125

FAX:0769-81802126

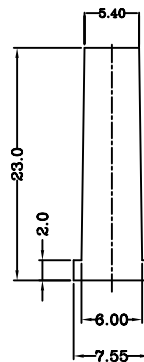
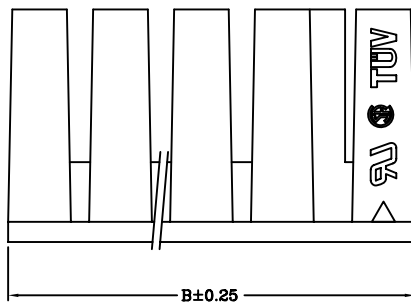
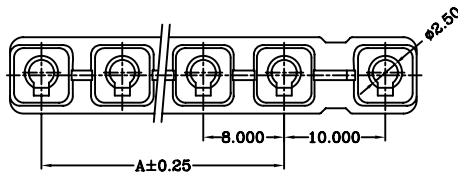
DOCUMENT NO.

RDE0113A

SERIAL NO.

A2361H00-NP

*Material: Nylon 66 UL 94V-0(Black)



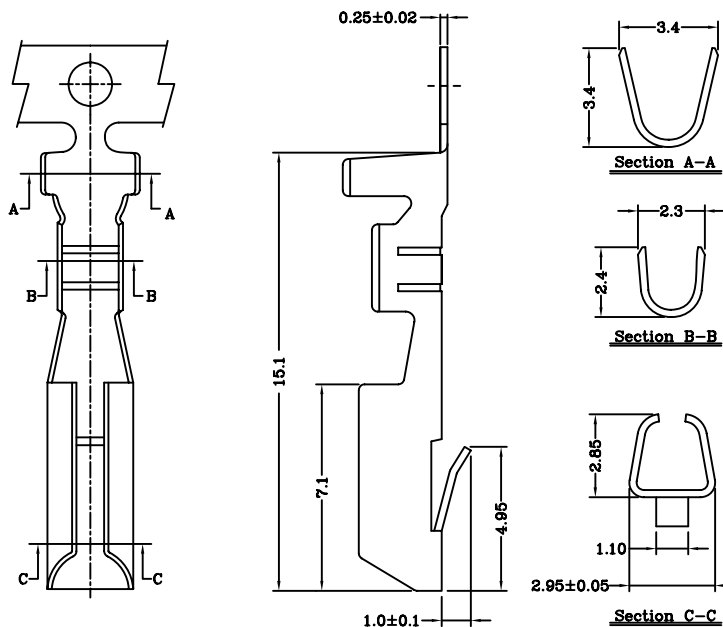
Specifications:

Poles	1-6Poles
Pitch between poles	10.00-8.00mm
Rated Voltage	250V AC,DC
Rated Current	5A(AWG#18)
Withstand Voltage	1500V AC/minute
Contact Resistance	10mΩ(MAX)
Insulation Resistance	1000mΩ(MIN)
Temperature Range	-25°C ~ +85°C*
Applicable Wire Range	AWG #18 ~ #24

Dimensional & Ordering Information:

Circuits	Part No.	Dimensions		Pcs/Bag
		A	B	
2	A2361H02-2P*	—	16.2	1000
3	A2361H02-3P*	8.00	24.2	1000
4	A2361H02-4P*	16.00	32.2	500
5	A2361H02-5P*	24.00	40.2	500
6	A2361H02-6P*	32.00	48.2	500

A2361 Series 10.00-8.00mm pitch crimp terminal



Specifications & Ordering Information:

Part No	Wire Range	Insulation o.d.	Material	Finish	Qty/reel
A2361TOP-2	AWG #18~#24	2.54mm(max)	Phosphor Bronze	Ni-plated	6,000 PCS
A2361TOB-2	AWG #18~#24	2.54mm(max)	Brass	Tin-plated	6,000 PCS