

深圳市占開科技有限公司

ShenZhen ZhanKai Technology CO.,LTD

TEL:0769-81802125

FAX:0769-81802126

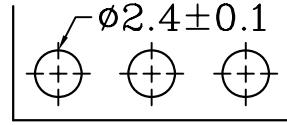
DOCUMENT NO.

RDE0123A

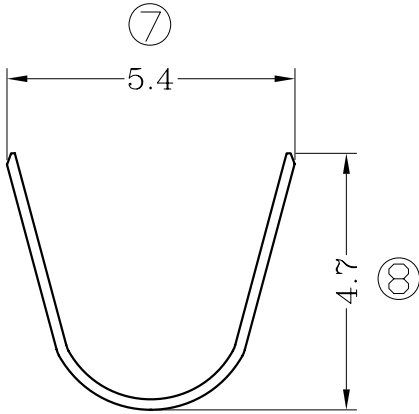
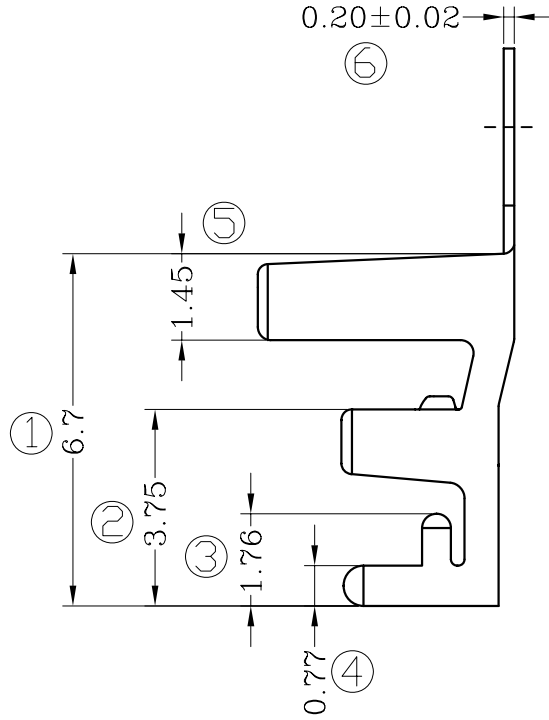
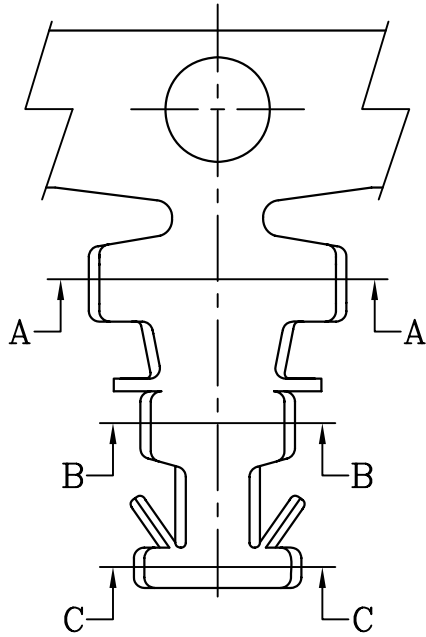
SERIAL NO.

B1811T2P-2(e)

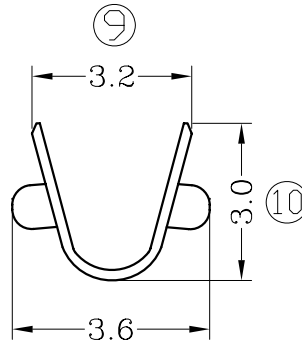
Applicable P.C.B. thickness 1.60mm



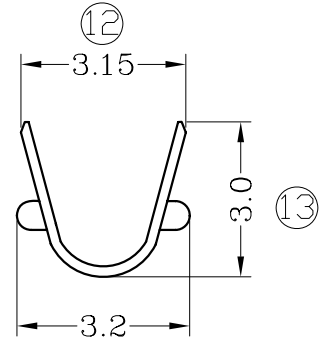
P.C.B. LAYOUT



Section A-A



Section B-B



Section C-C

Specifications & Ordering Information:

| Part No | Wire Range | Insulation O.D. | Material | Finish | Qty/reel | NOTE |
|-------------|-------------|-----------------|-----------------|------------|-----------|------------------------------|
| B1811T2P-2e | AWG #14~#18 | 3.70mm(max) | Phosphor bronze | Tin-plated | 3,500 PCS | e:Stamping before tin plated |

| REV. | ECN NO. | UNIT | TOLERANCE | PROJECTION | DRAWING | CHECK | APPROVAL |
|------|-----------|------|-----------|------------|---------|-------|----------|
| A | D20131128 | mm | *** ±0.08 | | 邹朝辉 | — | 余望明 |
| B | | | ** ±0.15 | | | | |
| | | | * ±0.25 | | | | |

东莞市志展五金塑胶制品有限公司

DongGuan ZhiZhan Hardware Plastic Products Co., LTD

深圳市占开科技有限公司

TEL:0769-81802125

FAX:0769-81802126

DOCUMENT NO.

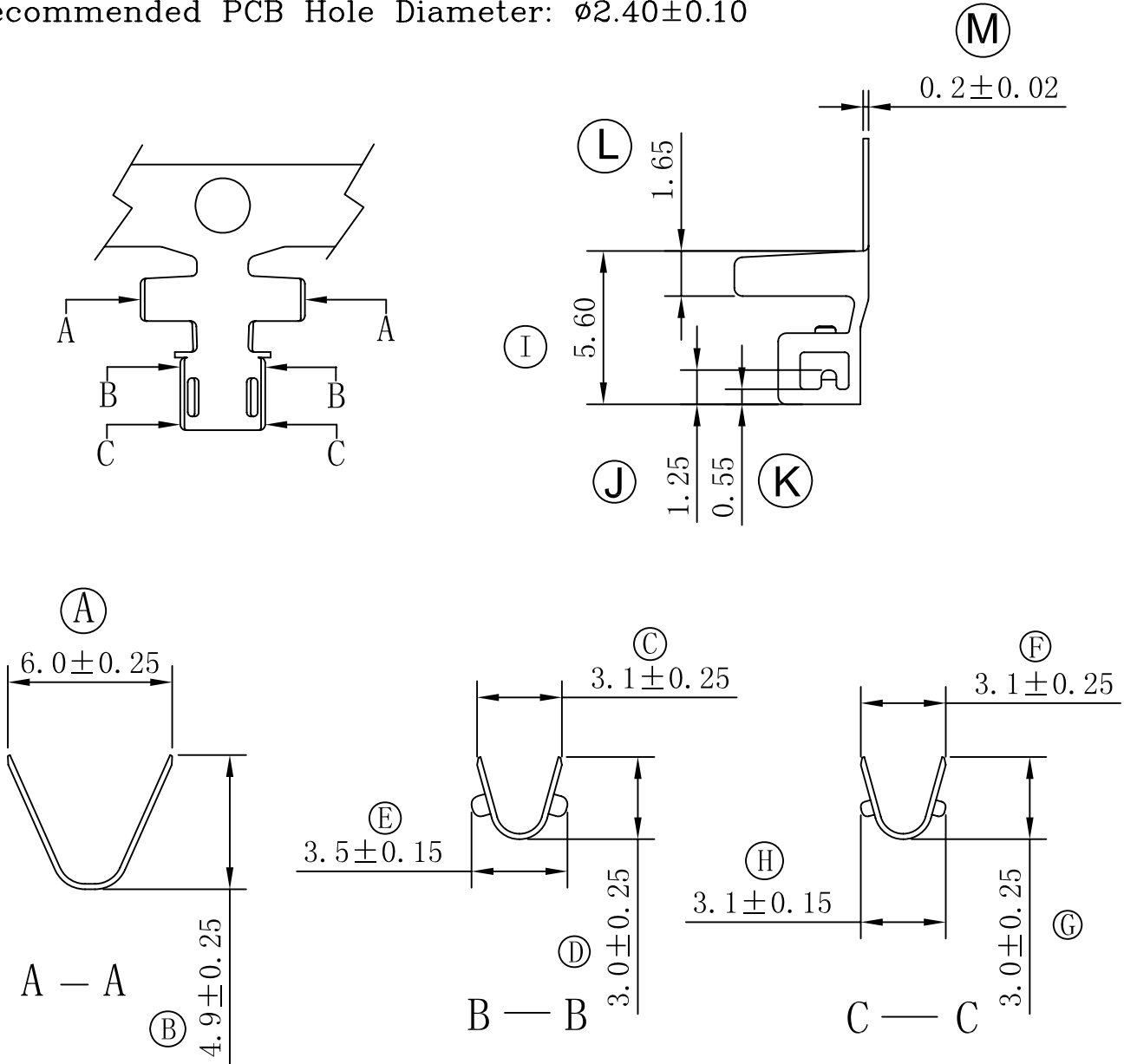
RDE0166A

SERIAL NO.

B1811T2*-B2E

Applicable PCB Thickness: 1.20mm

Recommended PCB Hole Diameter: $\phi 2.40 \pm 0.10$



Specifications & Ordering Information:

| Part No | Wire Range | Insulation O.D. | Material | Finish | Qty/reel | NOTE |
|--------------|-------------|-----------------|-----------------|------------|-----------|-------------------------------|
| B1811T2P-B2 | AWG #14~#20 | 3.70mm(max) | Phosphor bronze | Tin-plated | 3,500 PCS | e:Stamping before tin plating |
| B1811T2B-B2E | AWG #14~#20 | 3.70mm(max) | Phosphor bronze | Tin-plated | 3,500 PCS | |

| REV. | ECN NO. | UNIT | TOLERANCE | PROJECTION | DRAWING | CHECK | APPROVAL |
|---------------|-------------|------|----------------|------------|---------|-------|----------|
| $\triangle A$ | NEW DRAWING | mm | *** ± 0.08 | | 邹朝辉 | — | 余望明 |
| | | | ** ± 0.15 | | | | |
| | | | * ± 0.25 | | | | |