

深圳市佔開科技有限公司

ShenZhen ZhanKai Technology CO.,LTD

TEL:0769-81802125

FAX:0769-81802126

DOCUMENT NO.

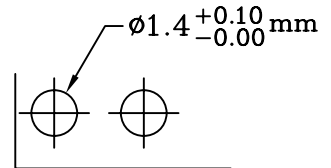
RDE0185A

SERIAL NO.

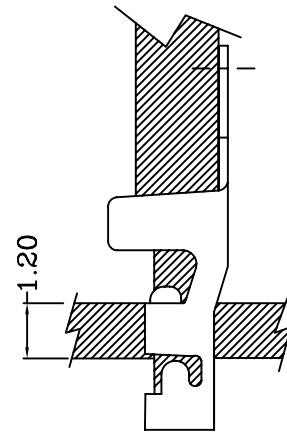
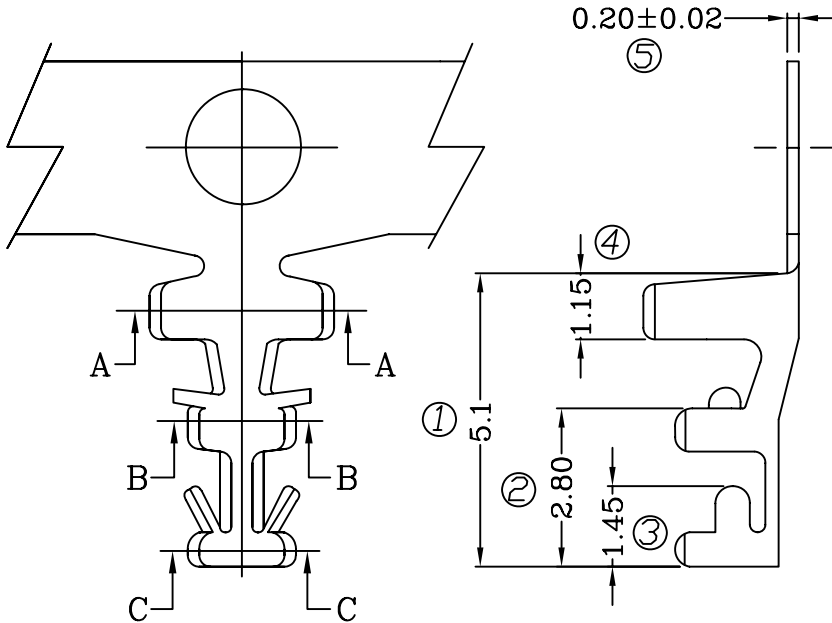
B1411TOP-D2(e)

Applicable P.C.B. thickness : 1.20mm

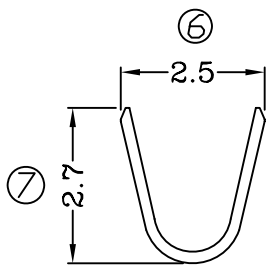
P.C.B. hole diameter :  $\phi 1.40^{+0.10}_{-0.00}$  mm



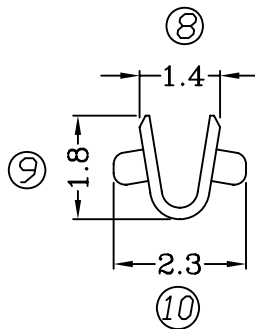
P.C.B LAYOUT



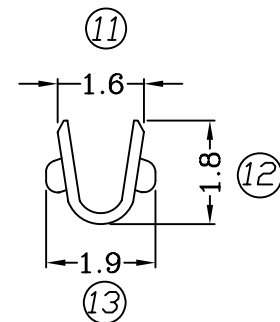
Assembly Layout



Section A-A



Section B-B



Section C-C

Specifications & Ordering Information:

Part No	Wire Range	Insulation O.D.	Material	Finish	Qty/reel	NOTE
B1411TOP-D2e	AWG #22~#26	1.95mm(max)	Phosphor bronze	Tin-plated	10,000 PCS	e: Stamping before tin plating

REV.	ECN NO.	UNIT	TOLERANCE	PROJECTION	DRAWING	CHECK	APPROVAL
A	NEW DRAWING	mm	*** ±0.08		王昊	—	余望明
			** ±0.15				
			* ±0.25				