

# 深圳市占開科技有限公司

ShenZhen ZhanKai Technology CO.,LTD

TEL:0755-27683150

FAX:0755-27683151

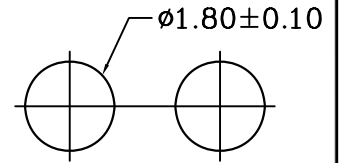
DOCUMENT NO.

RDE0113A

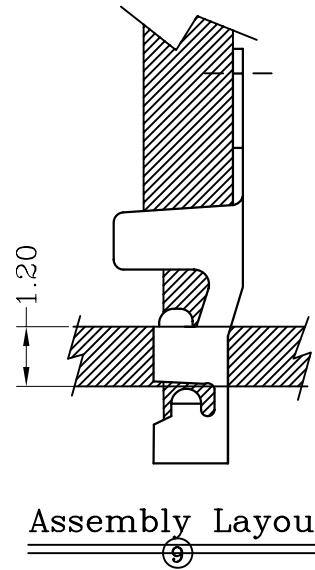
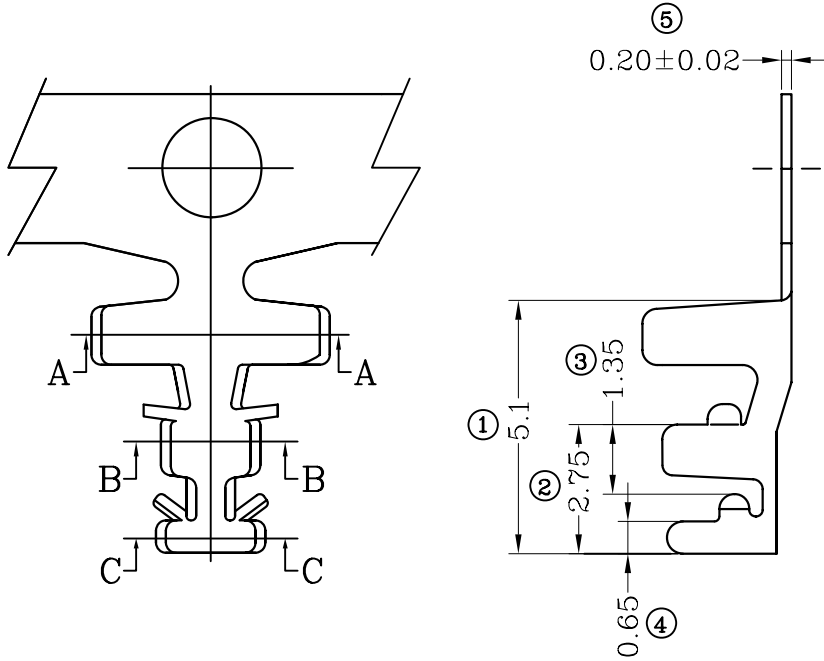
SERIAL NO.

B1818T

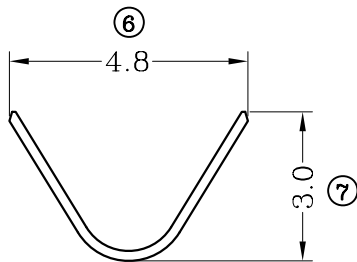
Applicable P.C.B. thickness 1.20mm



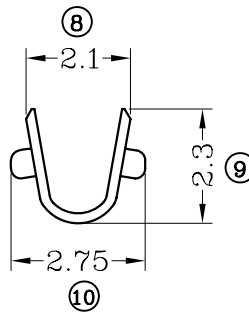
P.C.B. LAYOUT



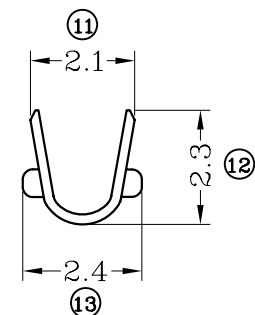
Assembly Layout



Section A-A



Section B-B



Section C-C

Specifications & Ordering Information:

Part No	Wire Range	Insulation O.D.	Material	Finish	Qty/reel	NOTE
B1818TOP-2	AWG #18~#22	2.10mm(max)	Phosphor bronze	Tin-plated	7,000 PCS	e:Stamping before tin plated
B1818TOP-2e	AWG #18~#22	2.10mm(max)	Phosphor bronze	Tin-plated	7,000 PCS	

REV.	ECN NO.	UNIT	TOLERANCE	PROJECTION	DRAWING	CHECK	APPROVAL
△A	NEW DRAWING	mm	*** ±0.08		贾爱军	—	邹朝辉
△B			** ±0.15				
			* ±0.25				