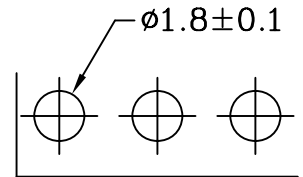
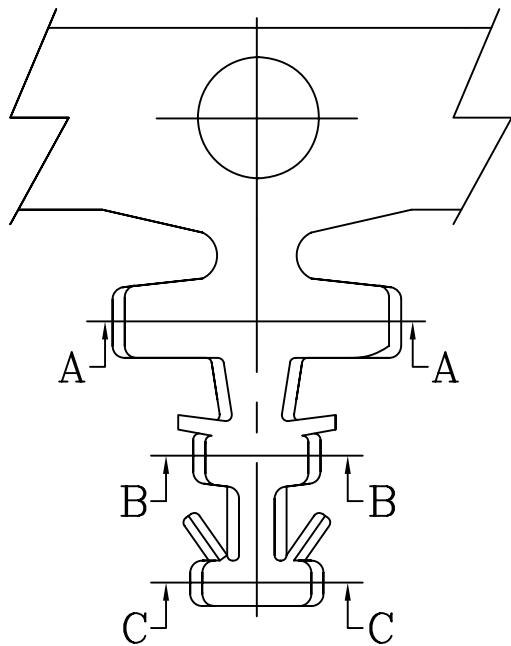


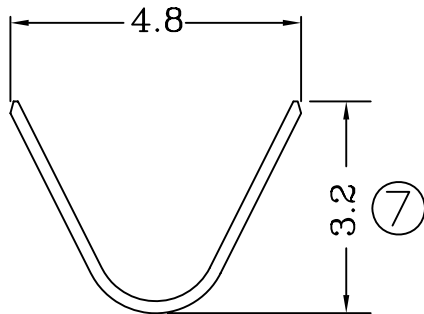
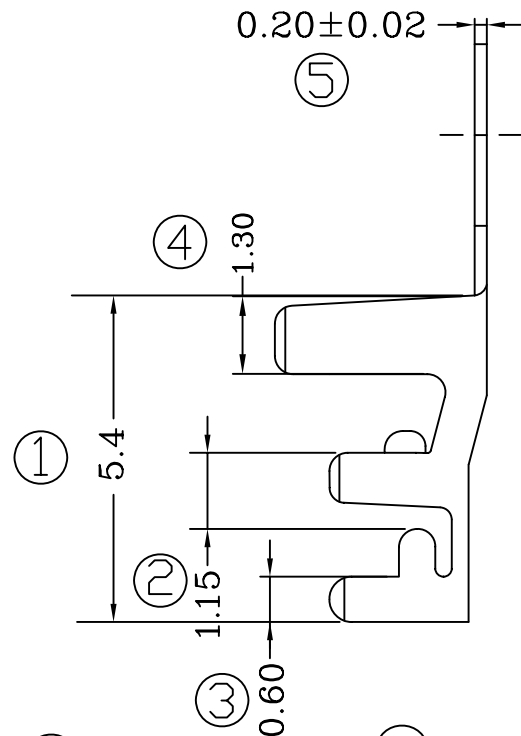
Applicable P.C.B thickness 1.0mm



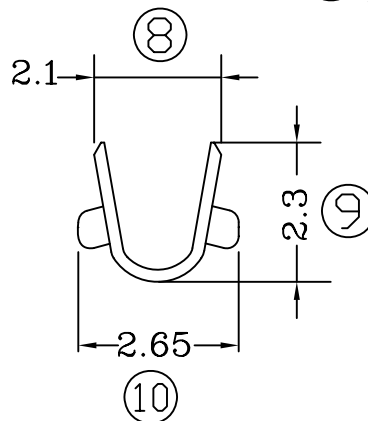
P.C.B LAYOUT



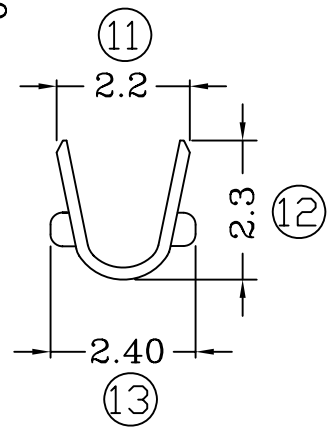
⑥



Section A-A



Section B-B



Section C-C

Specifications & Ordering Information:

Part No	Wire Range	Insulation O.D.	Material	Finish	Qty/reel	NOTE
B1819TOP-2	AWG #18~#22	2.10mm(max)	Phosphor bronze	Tin-plated	7,000 PCS	e:Stamping before tin plated
B1819TOP-2e	AWG #18~#22	2.10mm(max)	Phosphor bronze	Tin-plated	7,000 PCS	

REV.	ECN NO.	UNIT	TOLERANCE	PROJECTION	DRAWING	CHECK	APPROVAL
△	NEW DRAWING	mm	*** ±0.08		王昊	——	余望明
			** ±0.15				
			* ±0.25				