

深圳市占開科技有限公司

ShenZhen ZhanKai Technology CO.,LTD

TEL:0769-81802125

FAX:0769-81802126

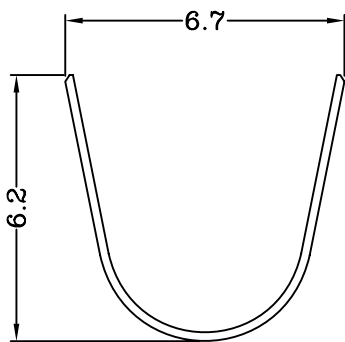
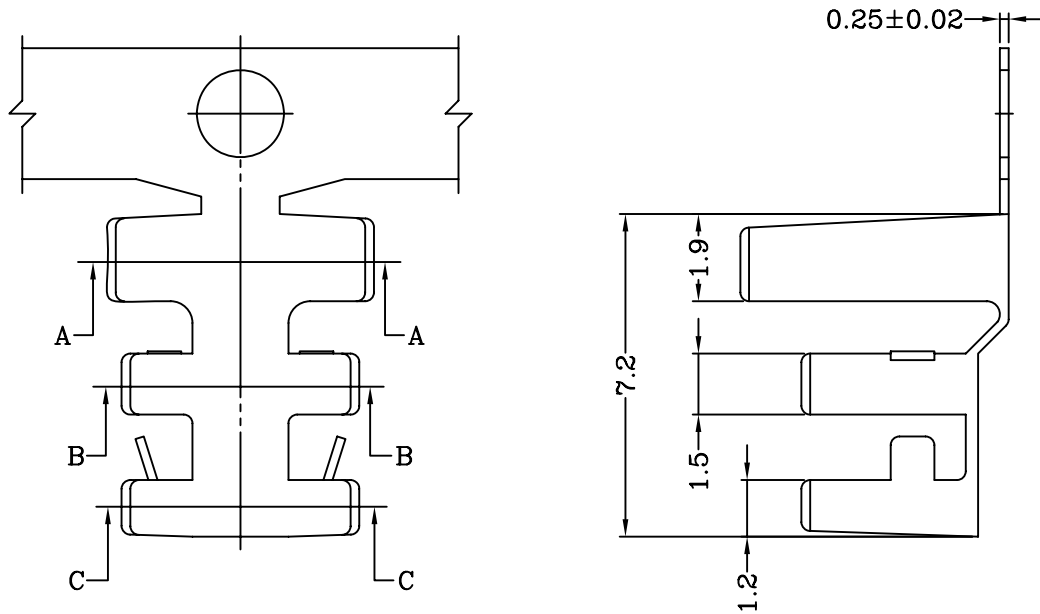
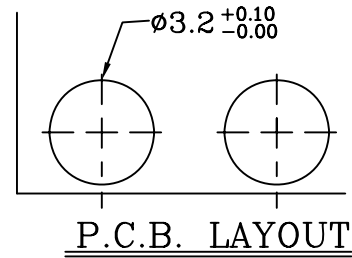
DOCUMENT NO.

RDE0168B

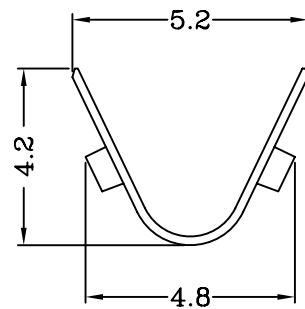
SERIAL NO.

B3212T

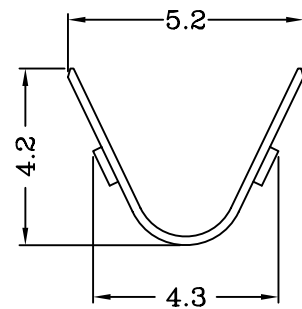
Applicable P.C.B. thickness 1.60mm



Section A-A



Section B-B



Section C-C

Specification & Ordering Information :

Part No.	Wire Range	Insulation O.D.	Material	Finish	Qty/reel	NOTE
B3212TOP-2E	AWG #18x3 JUMP or AWG #18x5 JUMP	4.80mm (max)	Phosphor bronze	Tin- plated	2,000 PCS	e:Stamping before tin plated

REV.	ECN NO.	UNIT	TOLERANCE	PROJECTION	DRAWING	CHECK	APPROVAL
	NEW DRAWING	mm	*** ±0.08		邹朝辉	——	余望明
			** ±0.15				
			* ±0.25				