

# 深圳市占開科技有限公司

ShenZhen ZhanKai Technology CO.,LTD

TEL:0769-81802125

FAX:0768-81802126

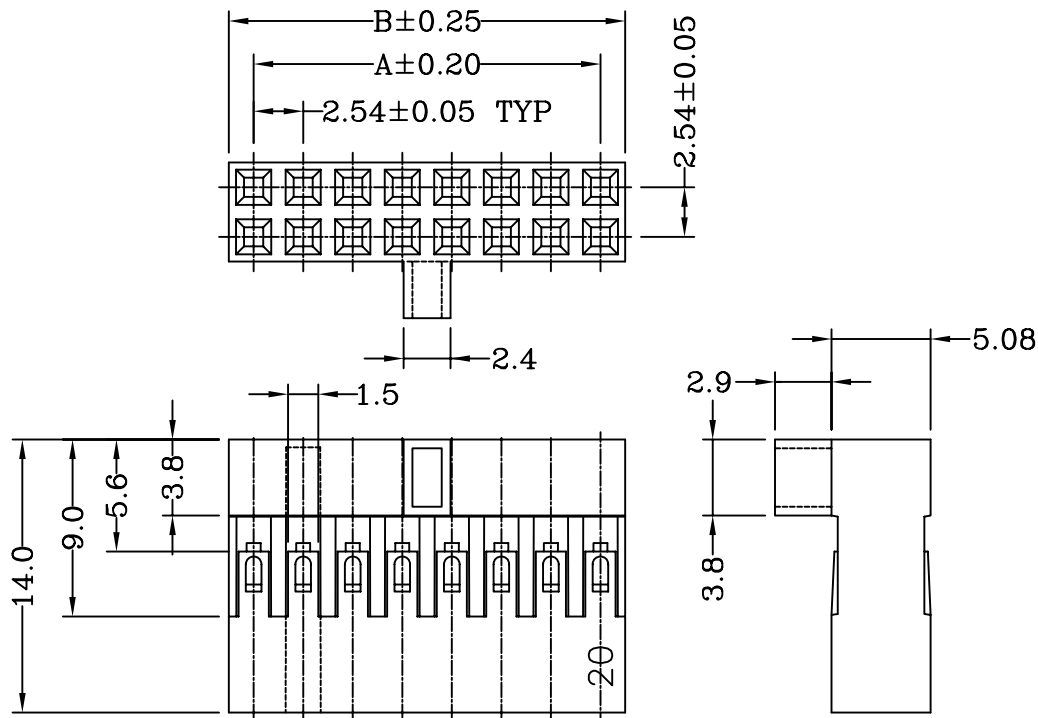
DOCUMENT NO.

RDE0295A

SERIAL NO.

A2542H

Material: PPO UL 94V-1



### Dimensional & Ordering Information:

Circuits	Part No	Dimension mm		Circuits	Part No	Dimension mm	
		A	B			A	B
4	A2542H02-2X2P	2.54	5.08	28	A2542H02-2X14P	33.03	35.56
6	A2542H02-2X3P	5.08	7.62	30	A2542H02-2X15P	35.56	38.10
8	A2542H02-2X4P	7.62	10.16	32	A2542H02-2X16P	38.10	40.64
10	A2542H02-2X5P	10.16	12.70	34	A2542H02-2X17P	40.64	43.18
12	A2542H02-2X6P	12.70	15.24	36	A2542H02-2X18P	43.18	45.72
14	A2542H02-2X7P	15.24	17.78	38	A2542H02-2X19P	45.72	48.26
16	A2542H02-2X8P	17.78	20.32	40	A2542H02-2X20P	48.26	50.80
18	A2542H02-2X9P	20.32	22.86	42	A2542H02-2X21P	50.80	53.34
20	A2542H02-2X10P	22.86	25.40	44	A2542H02-2X22P	53.34	55.88
22	A2542H02-2X11P	25.40	27.94	46	A2542H02-2X23P	55.88	58.42
24	A2542H02-2X12P	27.94	30.48	48	A2542H02-2X24P	58.42	60.96
26	A2542H02-2X13P	30.48	33.02	50	A2542H02-2X25P	60.96	63.50

REV.	ECN NO.	UNIT	TOLERANCE	PROJECTION	DRAWING	CHECK	APPROVAL
A	NEW DRAWING	mm	*** $\pm 0.08$		余望明	—————	邹朝辉
B			** $\pm 0.15$				
			* $\pm 0.25$				

# 深圳市占開科技有限公司

ShenZhen ZhanKai Technology CO.,LTD

TEL:0769-81802125

FAX:0768-81802126

DOCUMENT NO.

RDE0516A

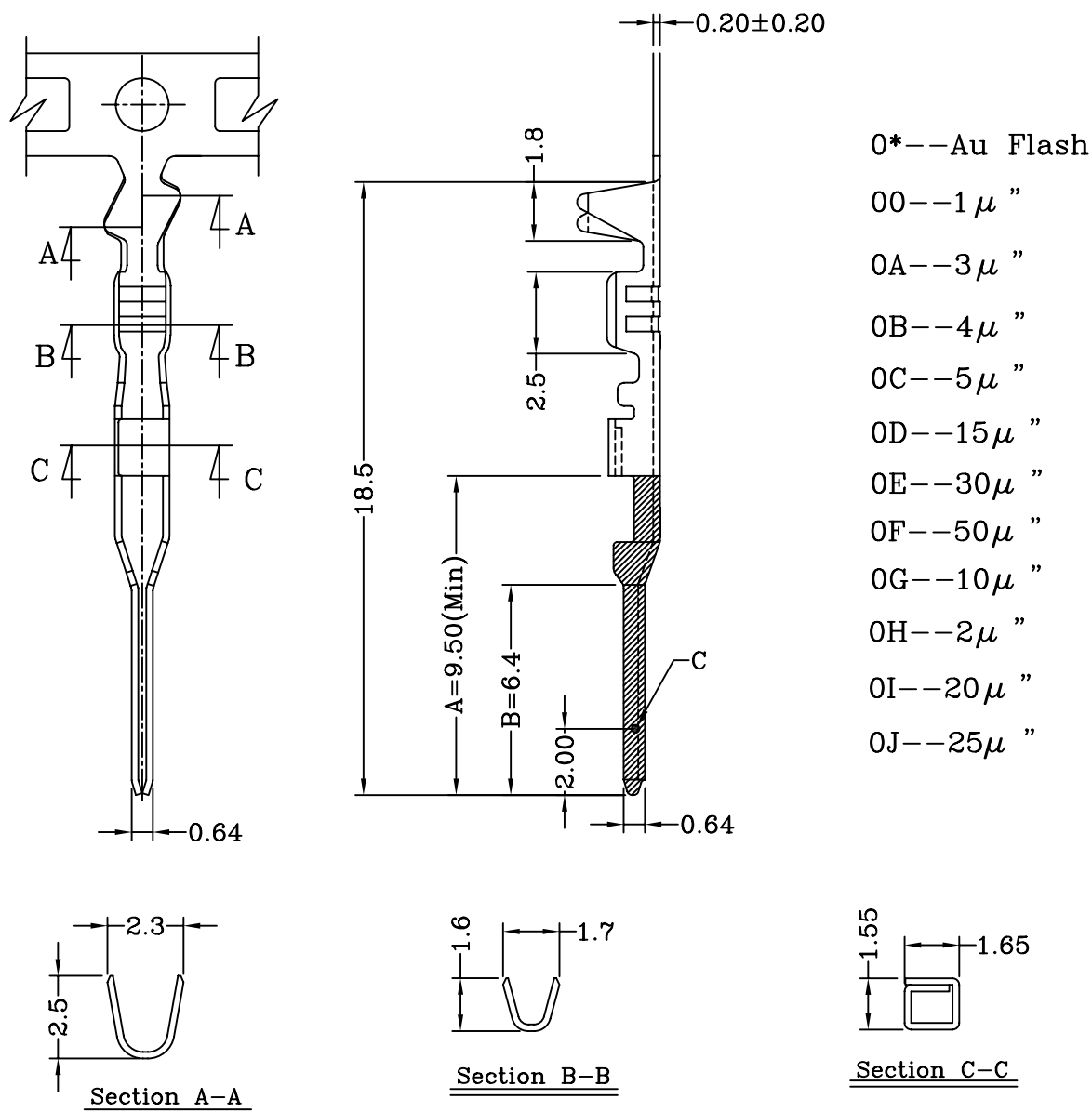
SERIAL NO.

A2542T3B-0\*

A--Gold Plated Area.

B--Tested Area For Coating Thickness.

C--Point of Measurement For Coating Thickness



## Specifications & Ordering Information:

Part No	Wire Range	Insulation O.D.	Material	Finish	Qty/reel
A2542T3B-0*	AWG #24~#28	1.60mm(max)	Brass	Gold over Nickel	10,000 PCS

REV.	ECN NO.	UNIT	TOLERANCE	PROJECTION	DRAWING	CHECK	APPROVAL
A	NEW DRAWING	mm	*** ±0.08		余望明	—————	邹朝辉
B			** ±0.15				
			* ±0.25				