

深圳市占開科技有限公司

ShenZhen ZhanKai Technology CO.,LTD

TEL:0769-81802125 FAX:0768-81802126

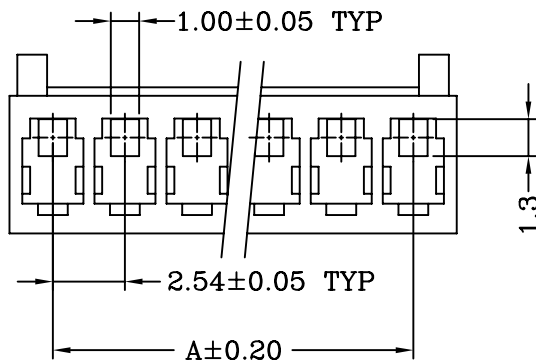
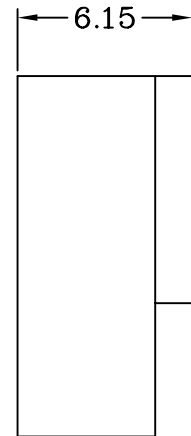
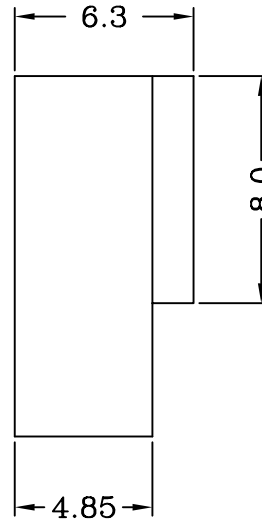
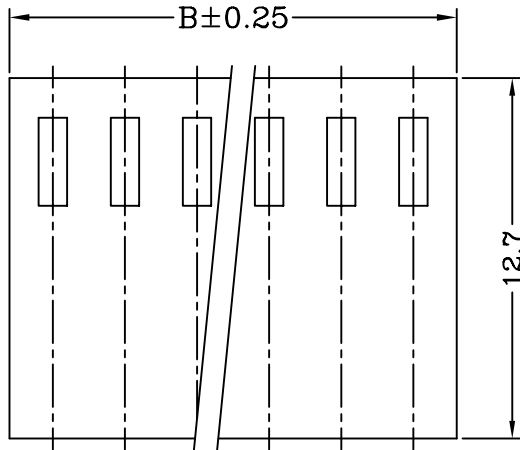
DOCUMENT NO.

RDE0021A

SERIAL NO.

A2543H0*-NP

Material : Nylon 66 UL 94V-0 (White) or 94V-2(Milky Yellow)



3P????(?)

2P??

Dimensional & Ordering Information:

Circuits	Part No	Dimensions		PCS/BAG	Circuits	Part No	Dimensions		PCS/BAG
		A	B				A	B	
2	A2543H0*-2P	2.54	5.60	1000	13	A2543H0*-13P	30.48	33.54	1000
3	A2543H0*-3P	5.08	8.14		14	A2543H0*-14P	33.02	36.08	
4	A2543H0*-4P	7.62	10.68		15	A2543H0*-15P	35.56	38.62	
5	A2543H0*-5P	10.16	13.22		16	A2543H0*-16P	38.10	41.16	
6	A2543H0*-6P	12.70	15.76						
7	A2543H0*-7P	15.24	18.30						
8	A2543H0*-8P	17.78	20.84						
9	A2543H0*-9P	20.32	23.38						
10	A2543H0*-10P	22.86	25.92						
11	A2543H0*-11P	25.40	28.46						
12	A2543H0*-12P	27.94	31.00						

REV.	ECN NO.	UNIT	TOLERANCE	PROJECTION	DRAWING	CHECK	APPROVAL
△	NEW DRAWING	mm	*** ±0.08				
			** ±0.15				
			* ±0.25				

深圳市占開科技有限公司

ShenZhen ZhanKai Technology CO.,LTD

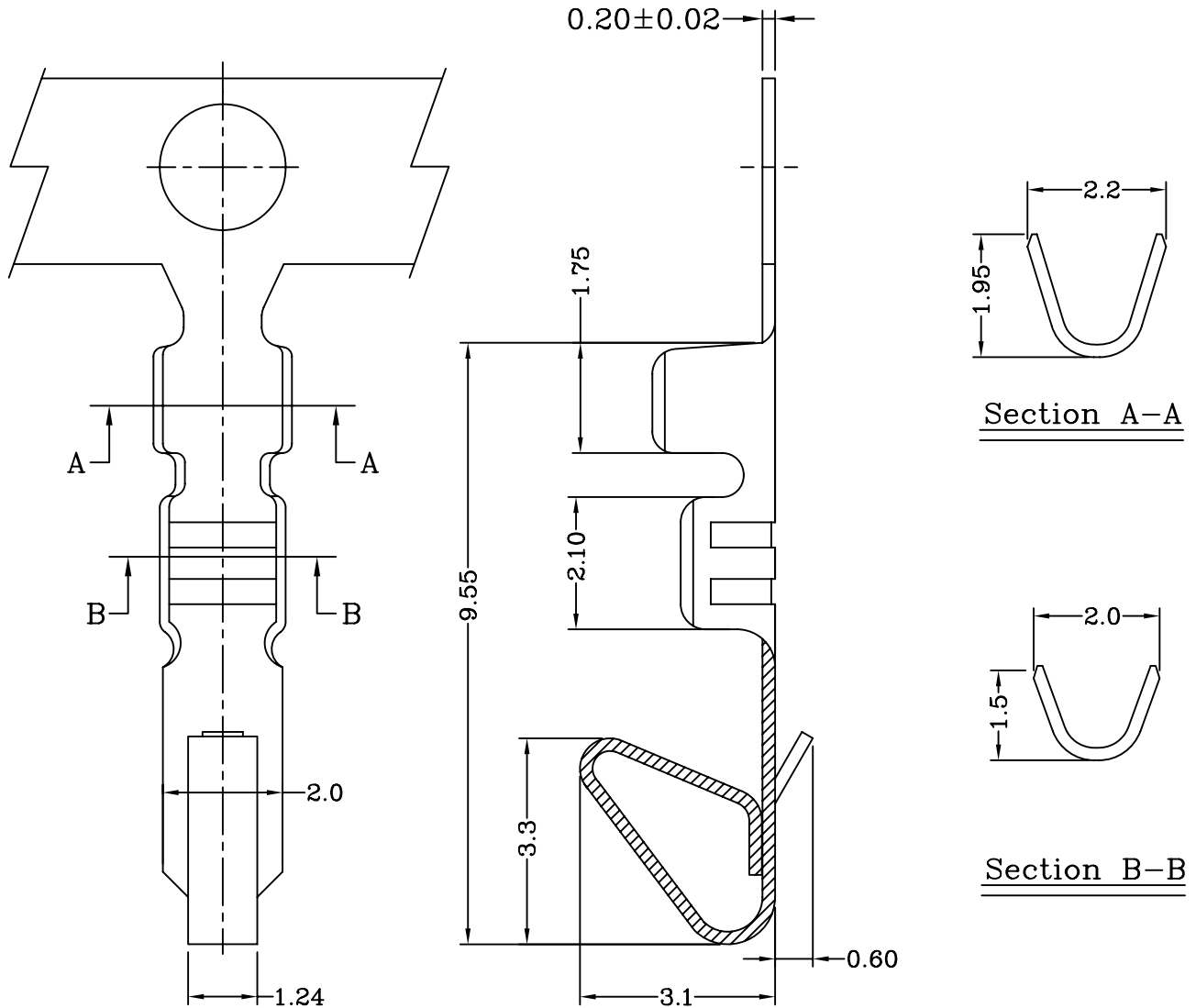
TEL:0769-81802125 FAX:0768-81802126

DOCUMENT NO.

RDE0218A

SERIAL NO.

A2543T



Specifications & Ordering Information:

Part No	Wire Range	Insulation O.D.	Material	Finish	Qty/reel
A2543TOP-2	AWG #22~#28	1.50mm(max)	Phosphor bronze	Tin-flash	10,000 PCS
A2543TOB-2	AWG #22~#28	1.50mm(max)	Brass	Tin-flash	10,000 PCS

REV.	ECN NO.	UNIT	TOLERANCE	PROJECTION	DRAWING	CHECK	APPROVAL
A	NEW DRAWING	mm	*** ±0.08		邹朝辉	—————	朱建勋
B			** ±0.15				
			* ±0.25				