

深圳市占開科技有限公司

ShenZhen ZhanKai Technology CO.,LTD

TEL:0769-81802125 FAX:0768-81802126

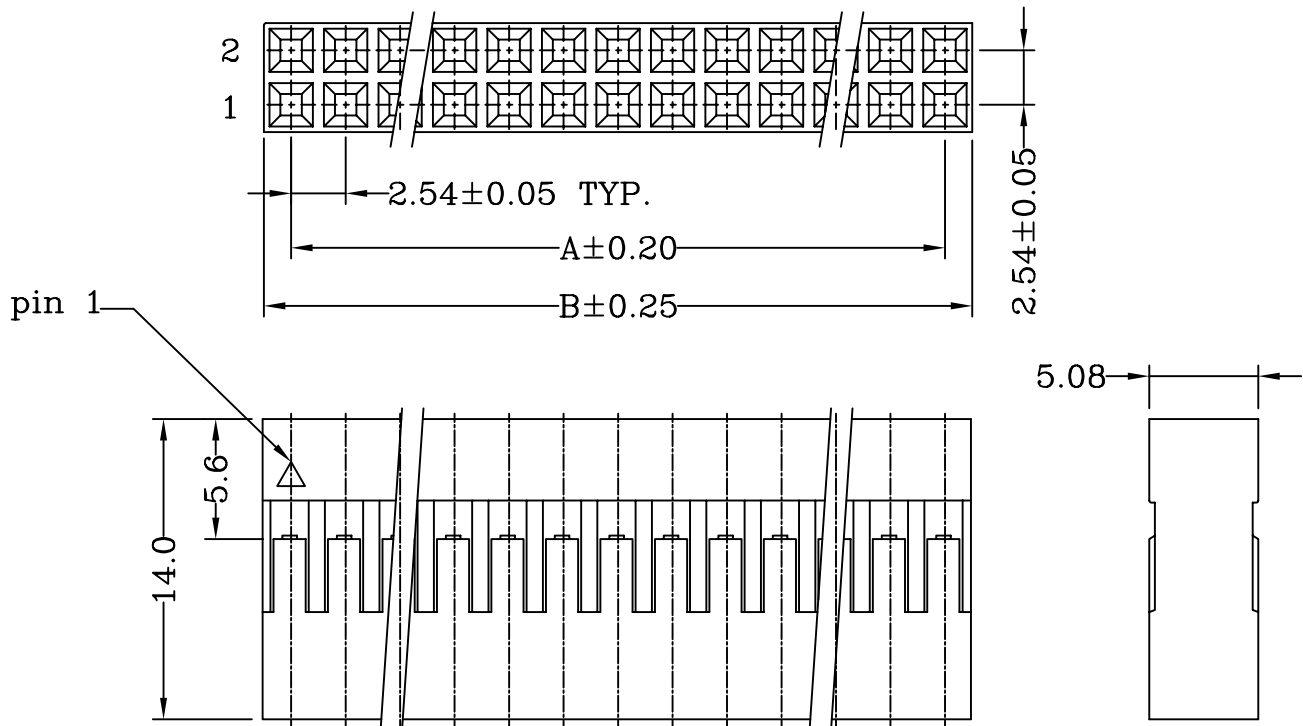
DOCUMENT NO.

RDE0523A

SERIAL NO.

A2541H02-2xNP

Material:PP0 UL 94V-1



Dimensional & Ordering Information:

Circuits	Part No	Dimensions		PCS/BAG	Circuits	Part No	Dimensions		PCS/BAG
		A	B				A	B	
4	A2541H02-2x2P	2.54	5.08	1000	28	A2541H02-2x14P	33.02	35.56	500
6	A2541H02-2x3P	5.08	7.62		30	A2541H02-2x15P	35.56	38.10	
8	A2541H02-2x4P	7.62	10.16		32	A2541H02-2x16P	38.10	40.64	
10	A2541H02-2x5P	10.16	12.70		34	A2541H02-2x17P	40.64	43.18	
12	A2541H02-2x6P	12.70	15.24		36	A2541H02-2x18P	43.18	45.72	
14	A2541H02-2x7P	15.24	17.78		38	A2541H02-2x19P	45.72	48.26	
16	A2541H02-2x8P	17.78	20.32		40	A2541H02-2x20P	48.26	50.80	
18	A2541H02-2x9P	20.32	22.86		42	A2541H02-2x21P	50.80	53.34	
20	A2541H02-2x10P	22.86	25.40		44	A2541H02-2x22P	53.34	55.88	
22	A2541H02-2x11P	25.40	27.94		46	A2541H02-2x23P	55.88	58.42	
24	A2541H02-2x12P	27.94	30.48		48	A2541H02-2x24P	58.42	60.96	
26	A2541H02-2x13P	30.48	33.02		50	A2541H02-2x25P	60.96	63.50	

REV.	ECN NO.	UNIT	TOLERANCE	PROJECTION	DRAWING	CHECK	APPROVAL
	NEW DRAWING	mm	*** ± 0.08		余望明	—————	邹朝辉
			** ± 0.15				
			* ± 0.25				

深圳市占開科技有限公司

ShenZhen ZhanKai Technology CO.,LTD

TEL:0769-81802125 FAX:0768-81802126

DOCUMENT NO.

RDE0321A

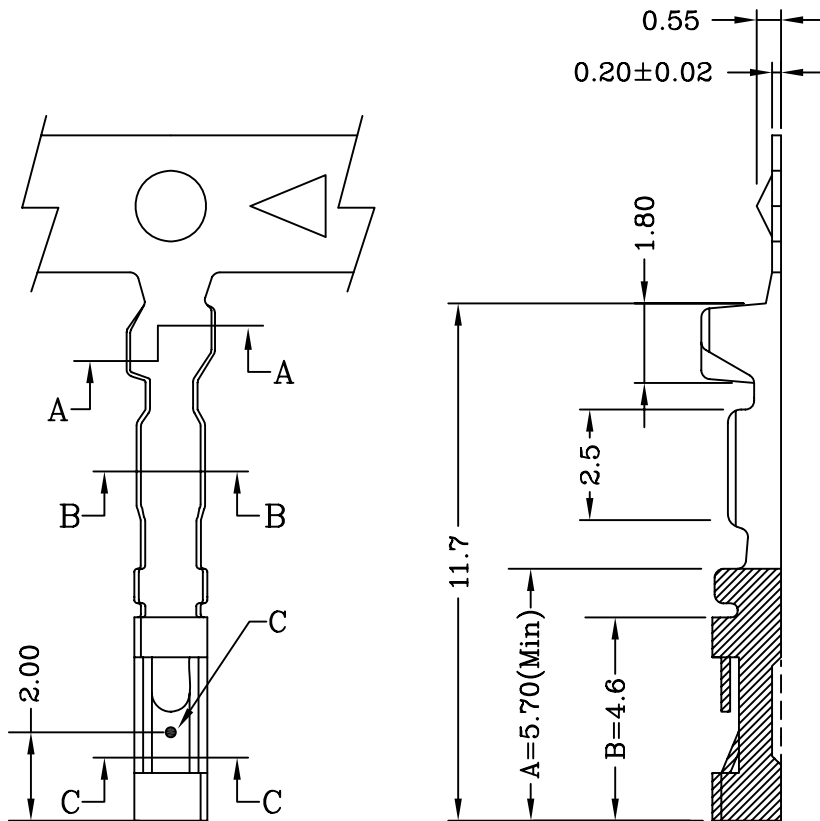
SERIAL NO.

A2541T1B(P)-0*

A--Gold Plated Area.

B--Tested Area For Coating Thickness.

C--Point of Measurement For Coating Thickness



0*--Au Flash

00-- 1μ "

0A-- 3μ "

0B-- 4μ "

0C-- 5μ "

0D-- 15μ "

0E-- 30μ "

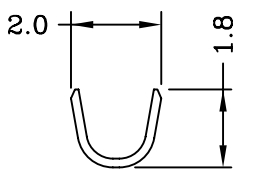
0F-- 50μ "

0G-- 10μ "

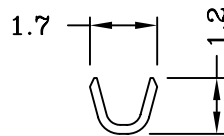
0H-- 2μ "

0I-- 20μ "

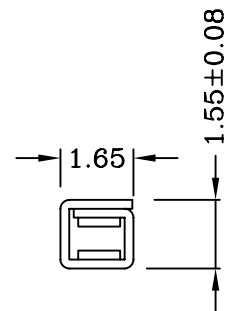
0J-- 25μ "



Section A-A



Section B-B



Section C-C

Specifications & Ordering Information:

Part No	Wire Range	Insulation O.D.	Material	Finish	Qty/reel
A2541T1B-0*	AWG#30~#32	1.70mm(max)	Brass	Gold over Nickel	10,000 PCS
A2541T1P-0*	AWG#30~#32	1.70mm(max)	Phosphor Bronze	Gold over Nickel	10,000 PCS

REV.	ECN NO.	UNIT	TOLERANCE	PROJECTION	DRAWING	CHECK	APPROVAL
	NEW DRAWING	mm	*** ±0.08		余望明	—————	邹朝辉
			** ±0.15				
			* ±0.25				

深圳市占開科技有限公司

ShenZhen ZhanKai Technology CO.,LTD

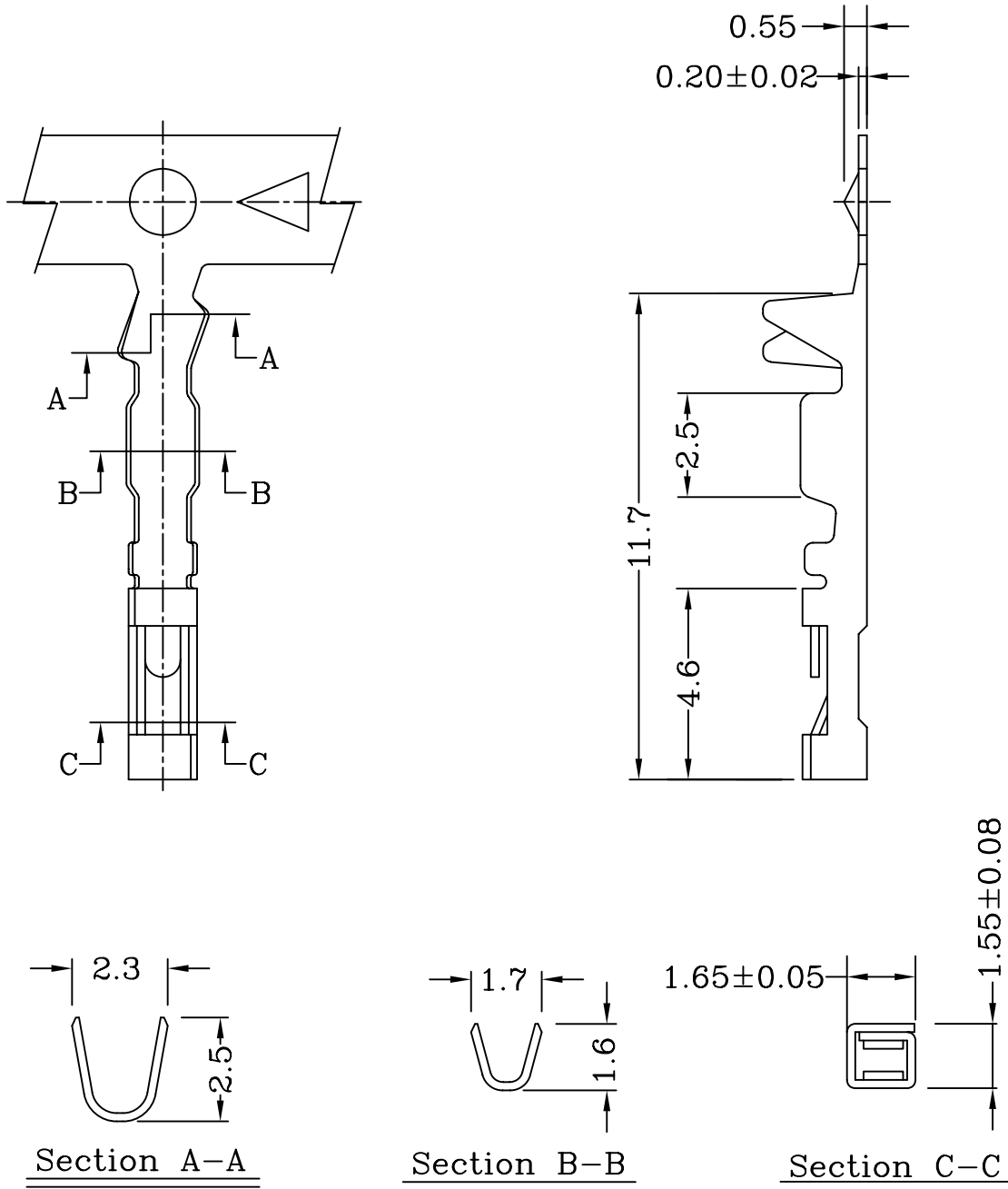
TEL:0769-81802125 FAX:0768-81802126

DOCUMENT NO.

RDE0320A

SERIAL NO.

A2541T3*-2



Specifications & Ordering Information:

Part No	Wire Range	Insulation O.D.	Material	Finish	Qty/reel
A2541T3B-2	AWG#22~#28	1.70mm(max)	Brass	Tin-plated	10,000 PCS
A2541T3P-2	AWG#22~#28	1.70mm(max)	Phosphor Bronze	Tin-plated	10,000 PCS

REV.	ECN NO.	UNIT	TOLERANCE	PROJECTION	DRAWING	CHECK	APPROVAL
A	NEW DRAWING	mm	*** ± 0.08		余望明		邹朝辉
B			** ± 0.15				
			* ± 0.25				