

深圳市占開科技有限公司

ShenZhen ZhanKai Technology CO.,LTD

TEL:0769-81802125

FAX:0768-81802126

DOCUMENT NO.

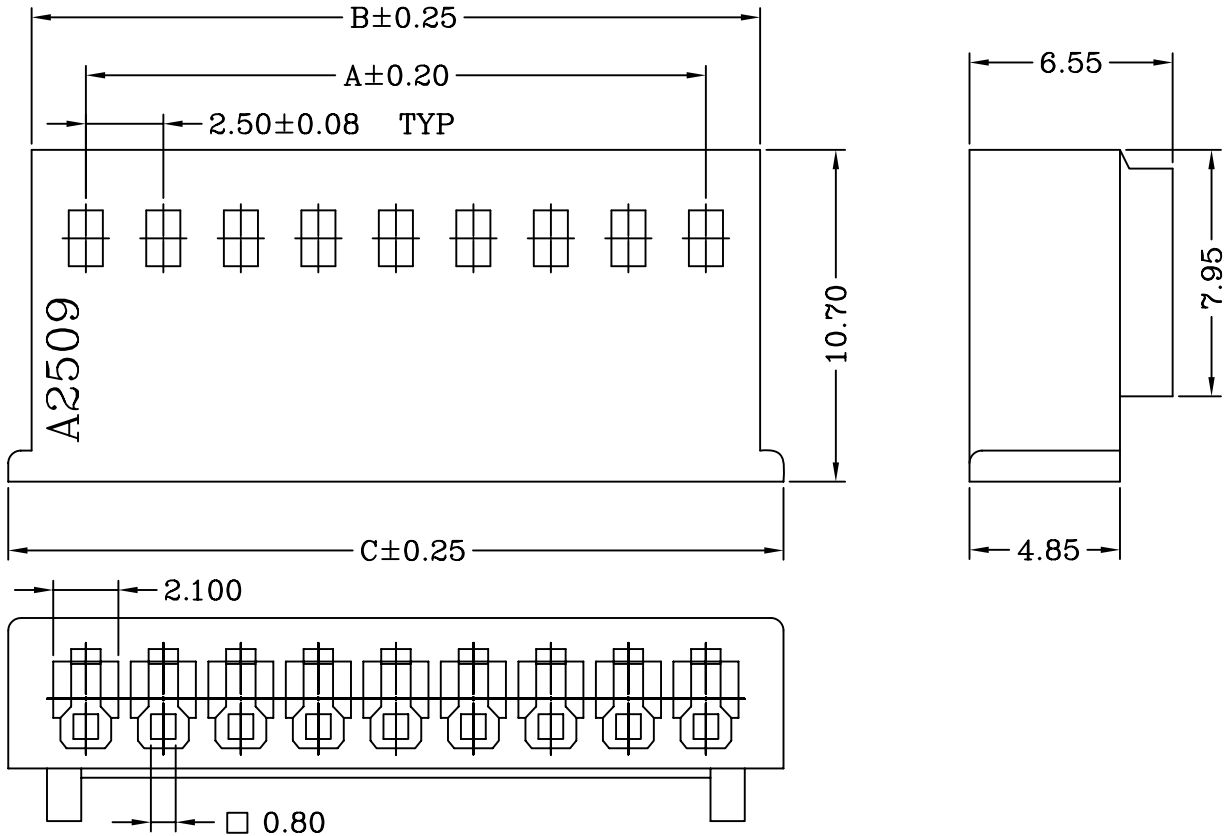
RDE0419A

SERIAL NO.

A2509H00-NP*

Note:

Material: Nylon 66 UL 94V-0



Dimensional & Ordering Information:

Circuits	Part No	Dimensions			PCS/BAG
		A	B	C	
2	A2509H00-2P*	2.50	6.00	7.50	1000
3	A2509H00-3P*	5.00	8.50	10.00	1000
4	A2509H00-4P*	7.50	11.00	12.50	1000
5	A2509H00-5P*	10.00	13.50	15.00	1000
6	A2509H00-6P*	12.50	16.00	17.50	1000
7	A2509H00-7P*	15.00	18.50	20.00	1000
8	A2509H00-8P*	17.50	21.00	22.50	1000
9	A2509H00-9P*	20.00	23.50	25.00	1000
10	A2509H00-10P*	22.50	26.00	27.50	1000
11	A2509H00-11P*	25.00	28.50	30.00	1000
12	A2509H00-12 P*	27.50	31.00	32.50	1000
13	A2509H00-13 P*	30.00	33.50	35.00	1000
14	A2509H00-14 P*	32.50	36.00	37.50	1000
15	A2509H00-15 P*	35.00	38.50	40.00	1000

REV.	ECN NO.	UNIT	TOLERANCE	PROJECTION	DRAWING	CHECK	APPROVAL
△	NEW DRAWING	mm	*** ±0.08				
			** ±0.15				
			* ±0.25				

深圳市占開科技有限公司

ShenZhen ZhanKai Technology CO.,LTD

TEL:0769-81802125

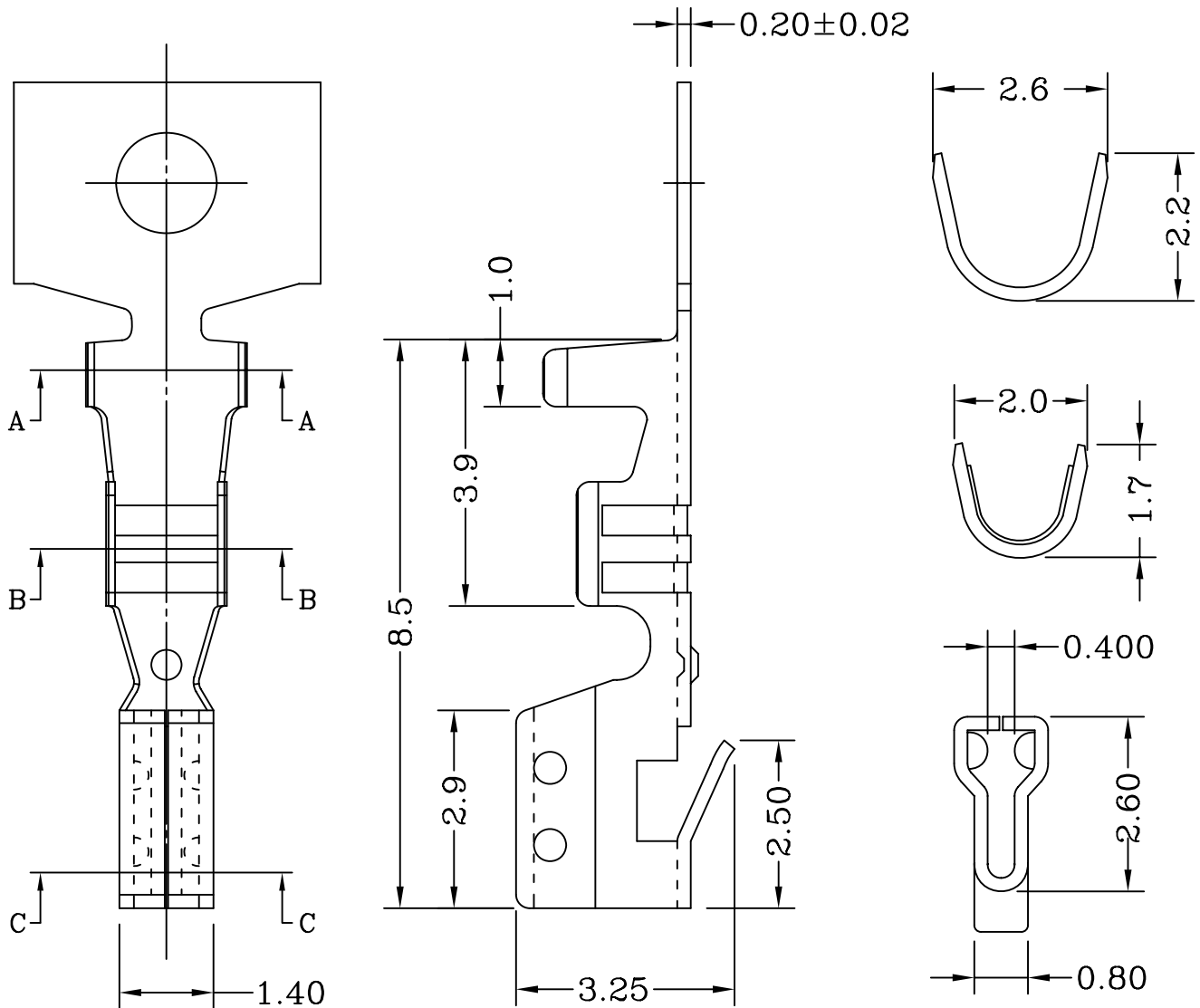
FAX:0768-81802126

DOCUMENT NO.

RDE0410A

SERIAL NO.

A2509T



Specifications & Ordering Information:

Part No	Wire Range	Insulation O.D.	Material	Finish	Qty/reel
A2509TOP-2	AWG #22~#28	1.75mm(max)	Phosphor bronze	Tin-plated	8,000 PCS

REV.	ECN NO.	UNIT	TOLERANCE	PROJECTION	DRAWING	CHECK	APPROVAL
△	NEW DRAWING	mm	.*** ±0.08				
			.** ±0.15				
			.* ±0.25				