

深圳市占開科技有限公司

ShenZhen ZhanKai Technology CO.,LTD

TEL:0769-81802125 FAX:0768-81802126

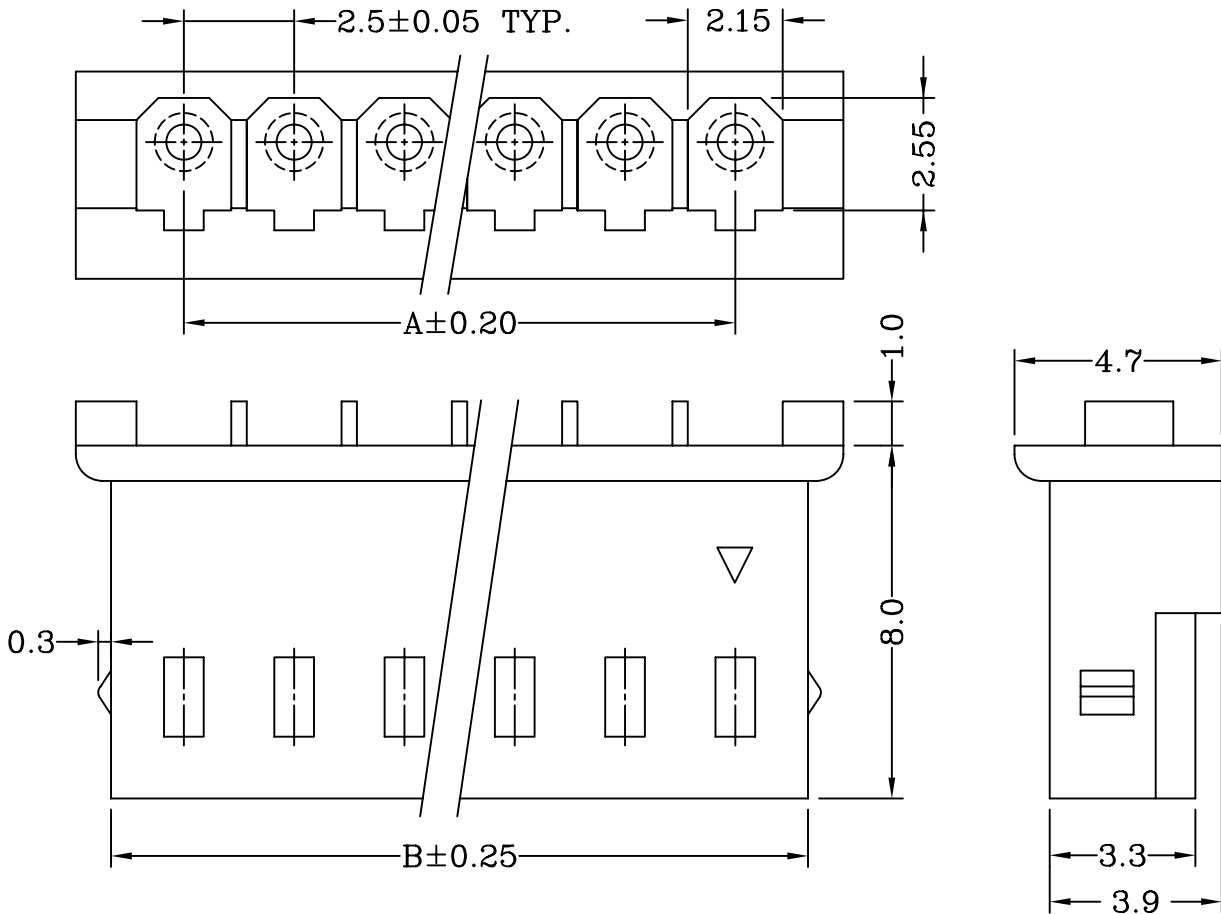
DOCUMENT NO.

RDE0138A

SERIAL NO.

A2505H02-NP

Material:Nylon 66 UL94V-0(Milky Yellow)



*:9P(含9P)以上不含两侧凸点

Dimensional & Ordering Information:

Circuits	Part No	Dimensions		PCS/BAG
		A	B	
2	A2505H02-2P	2.50	5.80	1000
3	A2505H02-3P	5.00	8.30	
4	A2505H02-4P	7.50	10.80	
5	A2505H02-5P	10.00	13.30	
6	A2505H02-6P	12.50	15.80	
7	A2505H02-7P	15.00	18.30	
8	A2505H02-8P	17.50	20.80	
9	A2505H02-9P	20.00	23.30	
10	A2505H02-10P	22.50	25.80	
11	A2505H02-11P	25.00	28.30	
12	A2505H02-12P	27.50	30.80	

REV.	ECN NO.	UNIT	TOLERANCE	PROJECTION	DRAWING	CHECK	APPROVAL
△	NEW DRAWING	mm	*** ±0.08		余望明	邹朝辉	朱建勋
			** ±0.15				
△			* ±0.25				

深圳市占開科技有限公司

ShenZhen ZhanKai Technology CO.,LTD

TEL:0769-81802125

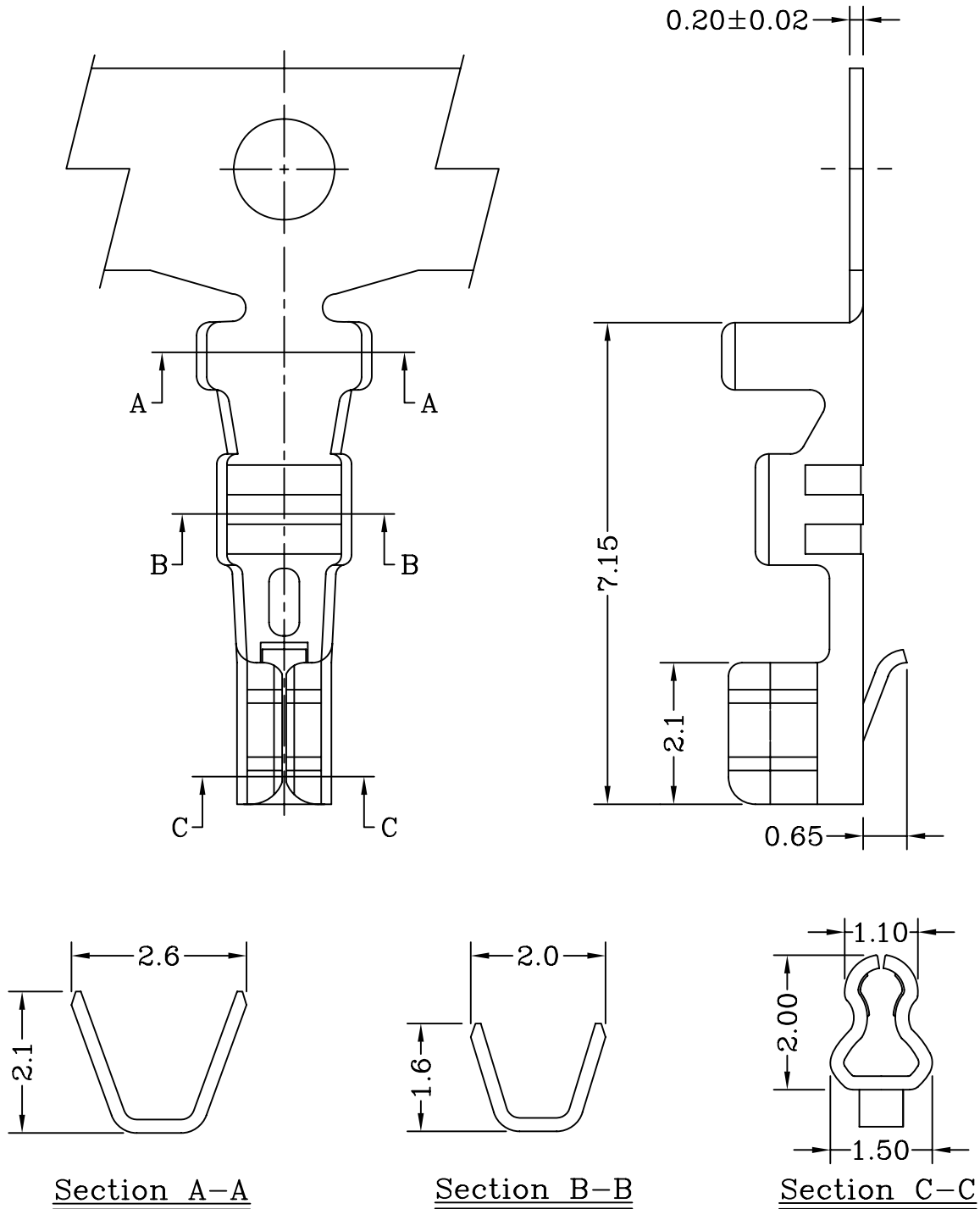
FAX:0768-81802126

DOCUMENT NO.

RDE0224A

SERIAL NO.

A2505TOP-2



Specifications & Ordering Information:

Part No	Wire Range	Insulation O.D.	Material	Finish	Qty/reel
A2505TOP-2	AWG #22~#28	1.90mm(max)	Phosphor bronze	Tin-plated	10,000 PCS

REV.	ECN NO.	UNIT	TOLERANCE	PROJECTION	DRAWING	CHECK	APPROVAL
A	NEW DRAWING	mm	*** ±0.08		余望明	邹朝辉	朱建勋
B			** ±0.15				
			* ±0.25				