

深圳市占開科技有限公司

ShenZhen ZhanKai Technology CO.,LTD

TEL:0769-81802125 FAX:0768-81802126

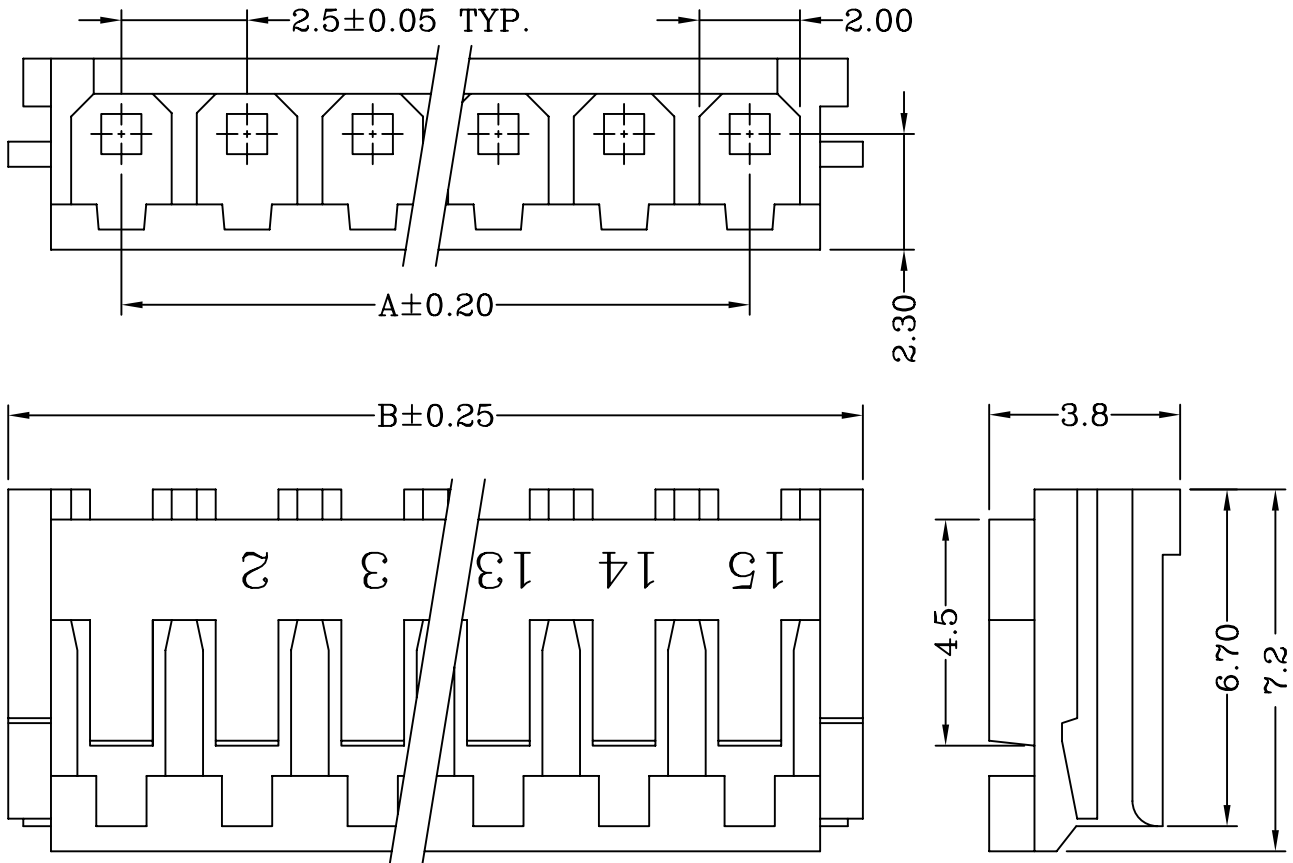
DOCUMENT NO.

RDE0150A

SERIAL NO.

A2502H02-NP

Material:Nylon 66 UL94V-0



Dimensional & Ordering Information:

Circuits	Part No	Dimensions		PCS/BAG
		A	B	
2	A2502H02-2P	2.50	7.00	1000
3	A2502H02-3P	5.00	9.50	
4	A2502H02-4P	7.50	12.00	
5	A2502H02-5P	10.00	14.50	
6	A2502H02-6P	12.50	17.00	
7	A2502H02-7P	15.00	19.50	
8	A2502H02-8P	17.50	22.00	
9	A2502H02-9P	20.00	24.50	
10	A2502H02-10P	22.50	27.00	
11	A2502H02-11 P	25.00	29.50	
12	A2502H02-12P	27.50	32.00	
13	A2502H02-13P	30.00	34.50	
14	A2502H02-14 P	32.50	37.00	
15	A2502H02-15 P	35.00	39.50	

REV.	ECN NO.	UNIT	TOLERANCE	PROJECTION	DRAWING	CHECK	APPROVAL
△	NEW DRAWING	mm	*** ±0.08		余望明	邹朝辉	朱建勋
△			** ±0.15				
△			* ±0.25				

深圳市占開科技有限公司

ShenZhen ZhanKai Technology CO.,LTD

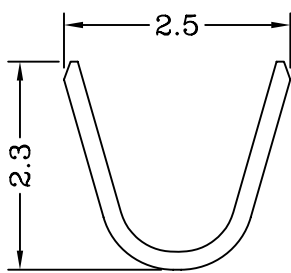
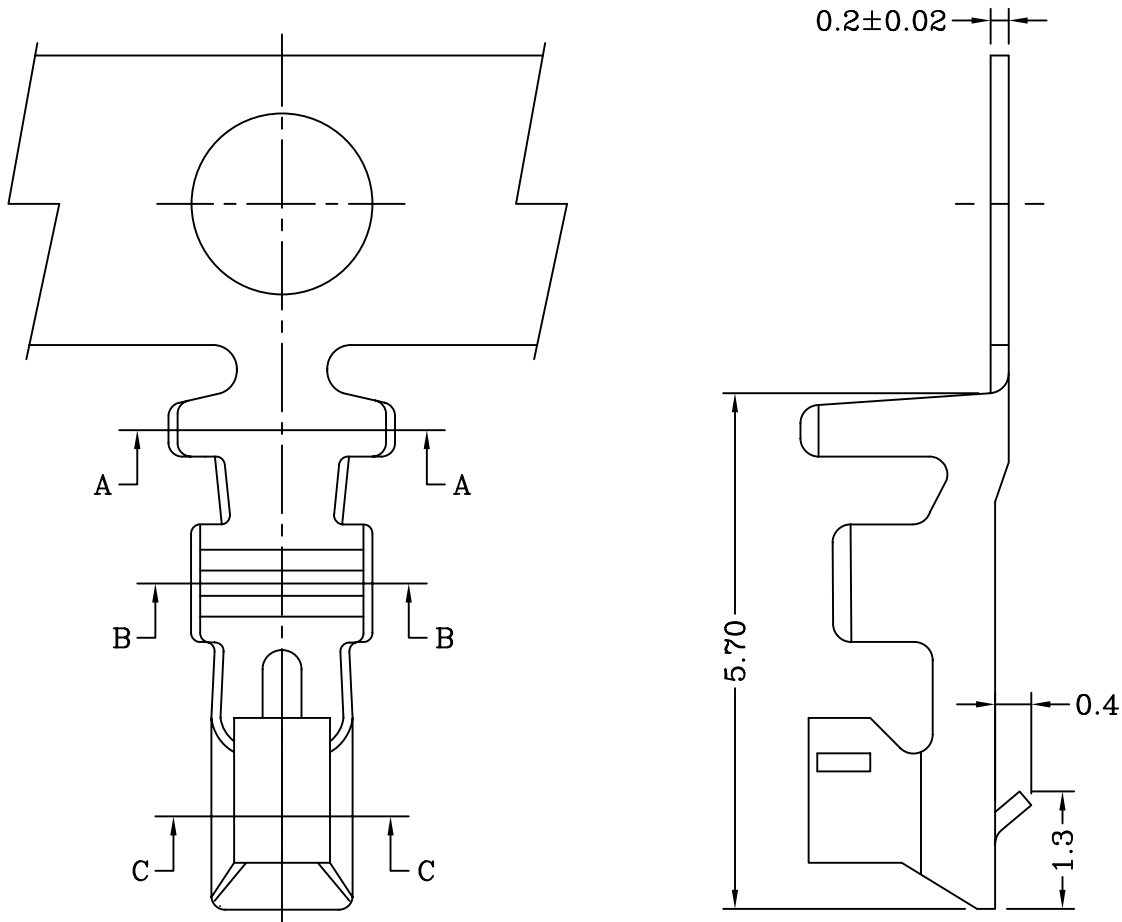
TEL:0769-81802125 FAX:0768-81802126

DOCUMENT NO.

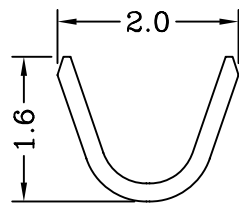
RDE0160A

SERIAL NO.

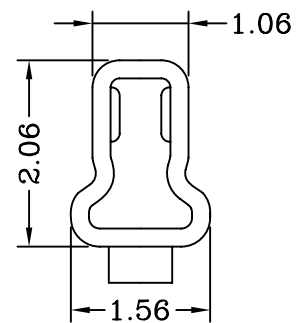
A2502TO*-2



Section A-A



Section B-B



Section C-C

Specifications & Ordering Information:

Part No	Wire Range	Insulation O.D.	Material	Finish	Qty/reel
A2502TOP-2	AWG #22~#28	1.80mm(max)	Phosphor bronze	Tin-plated	10,000 PCS
A2502TOB-2	AWG #22~#28	1.80mm(max)	Brass	Tin-plated	10,000 PCS

REV.	ECN NO.	UNIT	TOLERANCE	PROJECTION	DRAWING	CHECK	APPROVAL
△	NEW DRAWING	mm	*** ±0.08		余望明	—————	朱建勋
△			** ±0.15				
△			* ±0.25				