

深圳市占開科技有限公司

ShenZhen ZhanKai Technology CO.,LTD

TEL:0769-81802125

FAX:0769-81802126

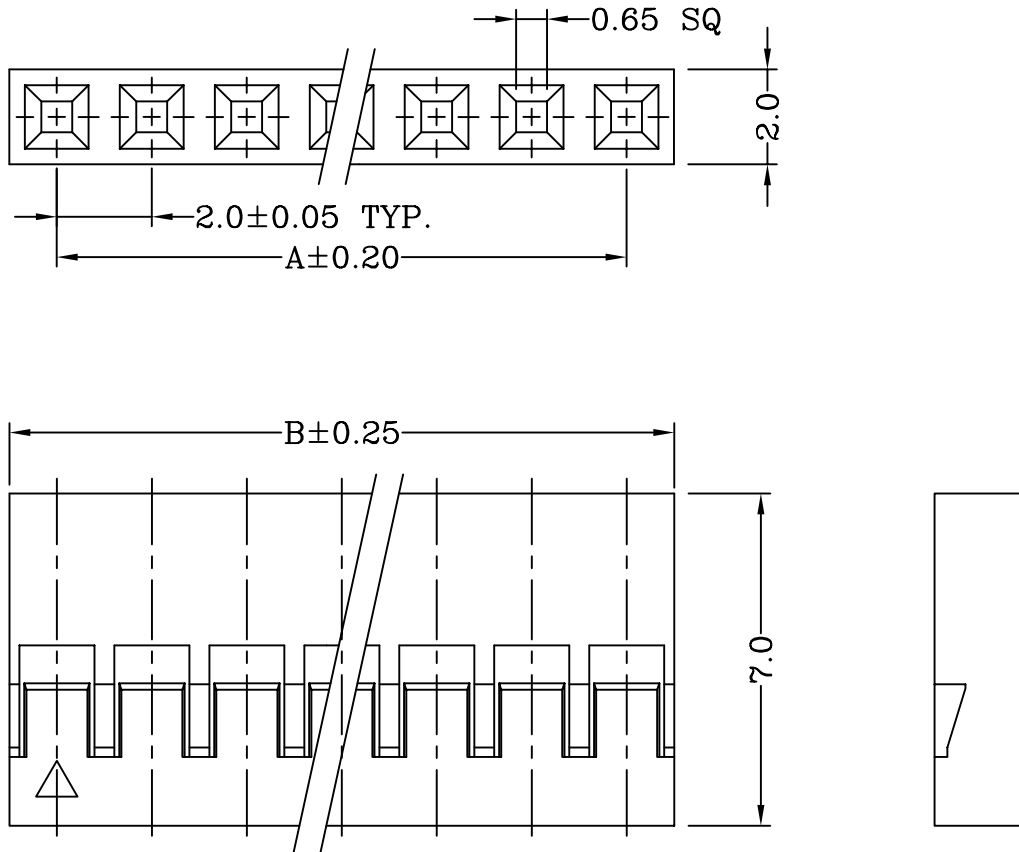
DOCUMENT NO.

RDE0084A

SERIAL NO.

A2005H02-1XNP

Material:Nylon UL94V-1(BLACK)



Dimensional & Ordering Information:

Circuits	Part No	Dimensions		PCS/BAG
		A	B	
2	A2005H02-1x 2P	2.00	4.20	1000
3	A2005H02-1x 3P	4.00	6.20	1000
4	A2005H02-1x 4P	6.00	8.20	1000
5	A2005H02-1x 5P	8.00	10.20	1000
6	A2005H02-1x 6P	10.00	12.20	1000
7	A2005H02-1x 7P	12.00	14.20	1000
8	A2005H02-1x 8P	14.00	16.20	1000
9	A2005H02-1x 9P	16.00	18.20	1000
10	A2005H02-1x 10P	18.00	20.20	1000
11	A2005H02-1x 11P	20.00	22.20	1000
12	A2005H02-1x 12P	22.00	24.20	1000
13	A2005H02-1x 13P	24.00	26.20	1000

REV.	ECN NO.	UNIT	TOLERANCE	PROJECTION	DRAWING	CHECK	APPROVAL
△A	NEW GRAWING	mm	*** ±0.08		王昊	——	邹朝辉
△B			** ±0.15				
			* ±0.25				

深圳市占開科技有限公司

ShenZhen ZhanKai Technology CO.,LTD

TEL:0769-81802125

FAX:0769-81802126

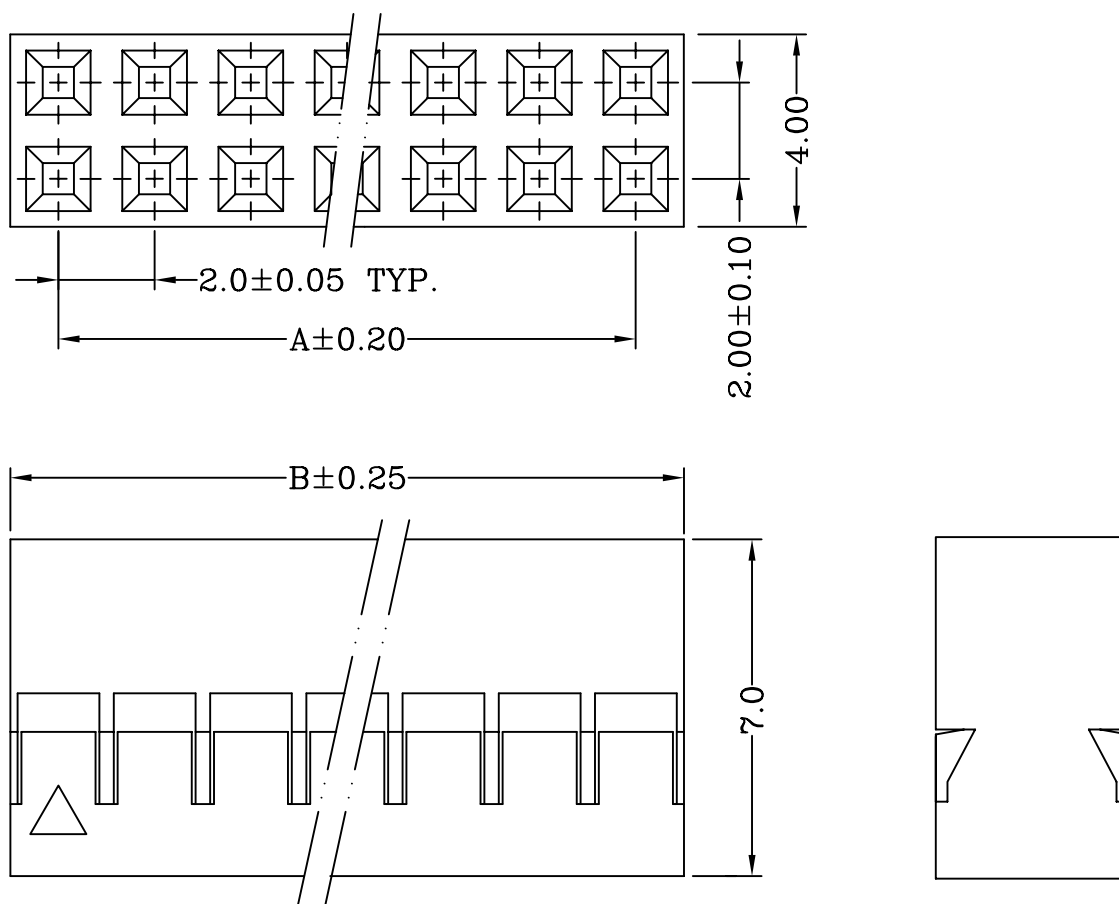
DOCUMENT NO.

RDE0064A

SERIAL NO.

A2005H02-2xNP

Material: PPO 94V-1 (Black)



Dimensional & Ordering Information:

Circuits	Part No	Dimensions		PCS/BAG	Circuits	Part No	Dimensions		PCS/BAG
		A	B				A	B	
4	A2005H02-2x2P	2.00	4.20	1000	28	A2005H02-2x14P	26.00	28.20	1000
6	A2005H02-2x3P	4.00	6.20	1000	30	A2005H02-2x15P	28.00	30.20	1000
8	A2005H02-2x4P	6.00	8.20	1000	32	A2005H02-2x16P	30.00	32.20	1000
10	A2005H02-2x5P	8.00	10.20	1000	34	A2005H02-2x17P	32.00	34.20	500
12	A2005H02-2x6P	10.00	12.20	1000	36	A2005H02-2x18P	34.00	36.20	500
14	A2005H02-2x7P	12.00	14.20	1000	38	A2005H02-2x19P	36.00	38.20	500
16	A2005H02-2x8P	14.00	16.20	1000	40	A2005H02-2x20P	38.00	40.20	500
18	A2005H02-2x9P	16.00	18.20	1000	42	A2005H02-2x21P	40.00	42.20	500
20	A2005H02-2x10P	18.00	20.20	1000	44	A2005H02-2x22P	42.00	44.20	500
22	A2005H02-2x11P	20.00	22.20	1000	46	A2005H02-2x23P	44.00	46.20	500
24	A2005H02-2x12P	22.00	24.20	1000	48	A2005H02-2x24P	46.00	48.20	500
26	A2005H02-2x13P	24.00	26.20	1000	50	A2005H02-2x25P	48.00	50.20	500

REV.	ECN NO.	UNIT	TOLERANCE	PROJECTION	DRAWING	CHECK	APPROVAL
A	NEW DRAWING	mm	*** ±0.08		涂红军	—	邹朝辉
B			** ±0.15				
			* ±0.25				

深圳市占開科技有限公司

ShenZhen ZhanKai Technology CO.,LTD

TEL:0769-81802125

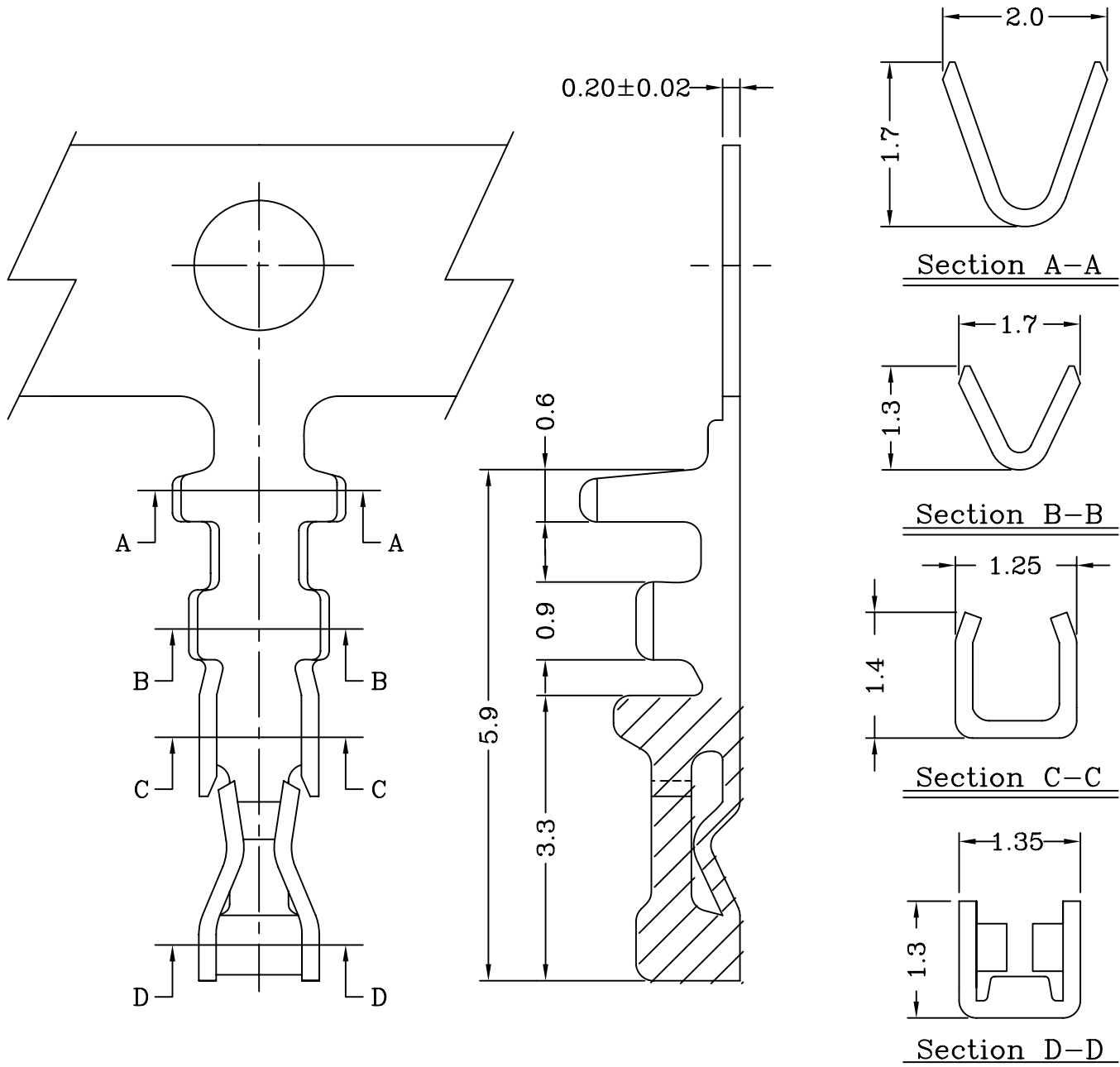
FAX:0769-81802126

DOCUMENT NO.

RDE00213A

SERIAL NO.

A2005T0*-*



Specifications & Ordering Information:

Part No	Wire Range	Material	Finish	Qty/reel	Insulation O.D.
A2005TOB-00	AWG #26~#30	Brass	Gold-plated	15,000 PCS	1.35mm(max)
A2005TOP-00	AWG #26~#30	Phosphor bronze	Gold-plated	15,000 PCS	1.35mm(max)

REV.	ECN NO.	UNIT	TOLERANCE	PROJECTION	DRAWING	CHECK	APPROVAL
	NEW DRAWING	mm	*** ±0.08		邹朝辉	——	余望明
			** ±0.15				
			* ±0.25				