

深圳市占開科技有限公司

ShenZhen ZhanKai Technology CO.,LTD

TEL:0769-81802125 FAX:0768-81802126

DOCUMENT NO.

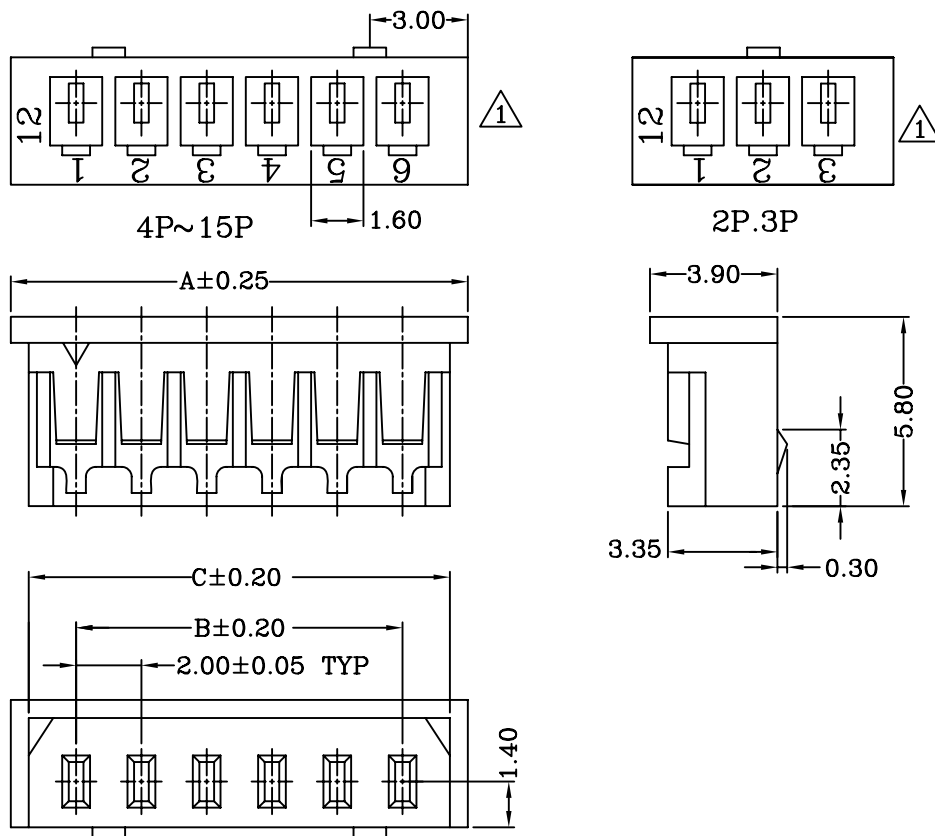
RDE02004A

SERIAL NO.

A2004H00-NP

* Material:Nylon 66 UL 94V-0 (White)

△ Company Mark



Dimensional & Ordering Information:

Circuits	Part No	Dimensions			Pcs/Bag
		A	B	C	
2	A2004H00-2P	6.0	2.00	4.90	1000
3	A2004H00-3P	8.0	4.00	6.90	1000
4	A2004H00-4P	10.0	6.00	8.90	1000
5	A2004H00-5P	12.0	8.00	10.90	1000
6	A2004H00-6P	14.0	10.00	12.90	1000
7	A2004H00-7P	16.0	12.00	14.90	1000
8	A2004H00-8P	18.0	14.00	16.90	1000
9	A2004H00-9P	20.0	16.00	18.90	1000
10	A2004H00-10P	22.0	18.00	20.90	1000
11	A2004H00-11P	24.0	20.00	22.90	1000
12	A2004H00-12P	26.0	22.00	24.90	1000
13	A2004H00-13P	28.0	24.00	26.90	1000
14	A2004H00-14P	30.0	26.00	28.90	1000
15	A2004H00-15P	32.0	28.00	30.90	1000

REV.	ECN NO.	UNIT	TOLERANCE	PROJECTION	DRAWING	CHECK	APPROVAL
△	NEW DRAWING	mm	*** ±0.08				
△			** ±0.15				
△			* ±0.25				

深圳市占開科技有限公司

ShenZhen ZhanKai Technology CO.,LTD

TEL:0769-81802125

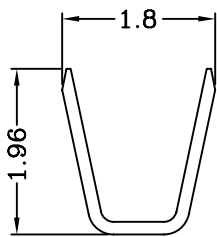
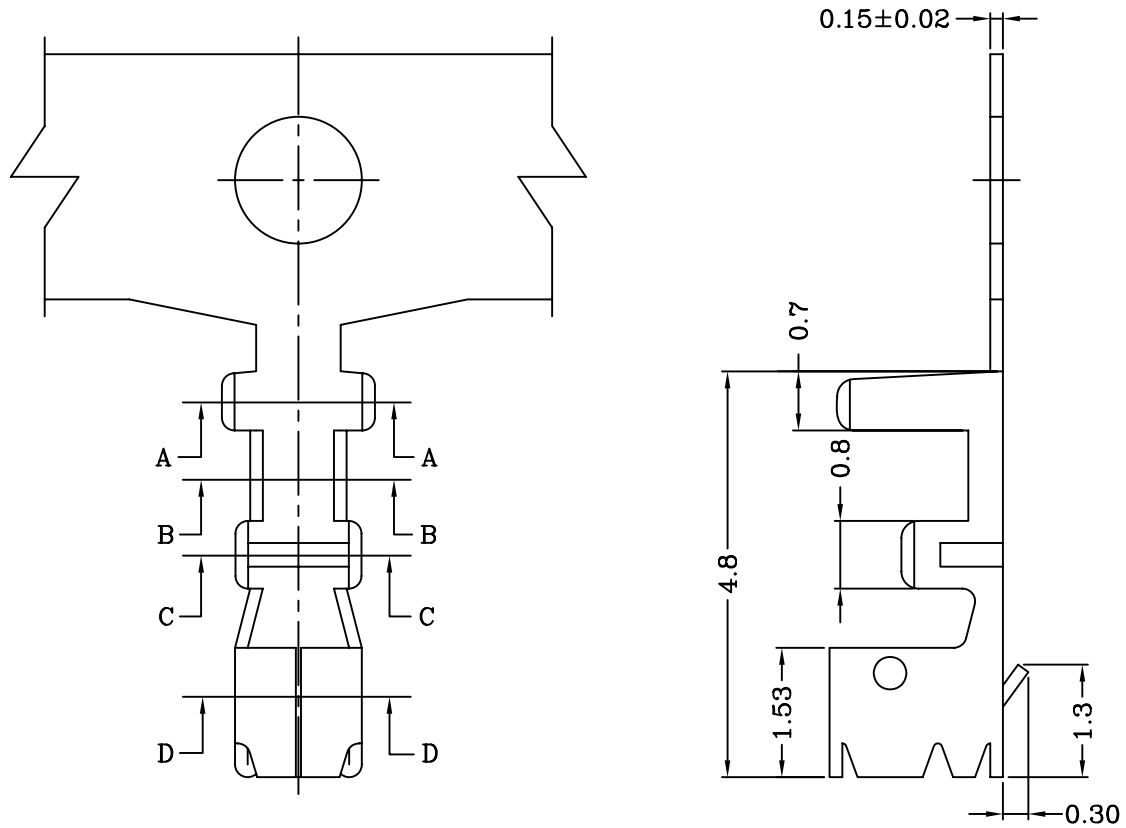
FAX:0768-81802126

DOCUMENT NO.

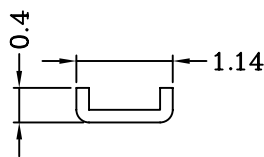
RDE2004B

SERIAL NO.

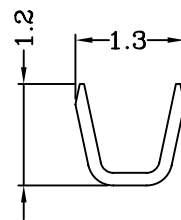
A2004TOP-2



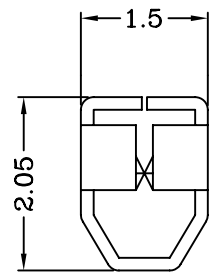
Section A-A



Section B-B



Section C-C



Section D-D

Specifications & Ordering Information:

Part No	Wire Range	Insulation O.D.	Material	Finish	Qty/Reel
A2004TOP-2	AWG #24~#28	1.40mm(Max)	Phosphor bornze	Tin- plated	10,000 PCS

REV.	ECN NO.	UNIT	TOLERANCE	PROJECTION	DRAWING	CHECK	APPROVAL
△A	NEW DRAWING	mm	*** ±0.08				
			** ±0.15				
△B			* ±0.25				