

深圳市占開科技有限公司

ShenZhen ZhanKai Technology CO.,LTD

TEL:0769-81802125

FAX:0768-81802126

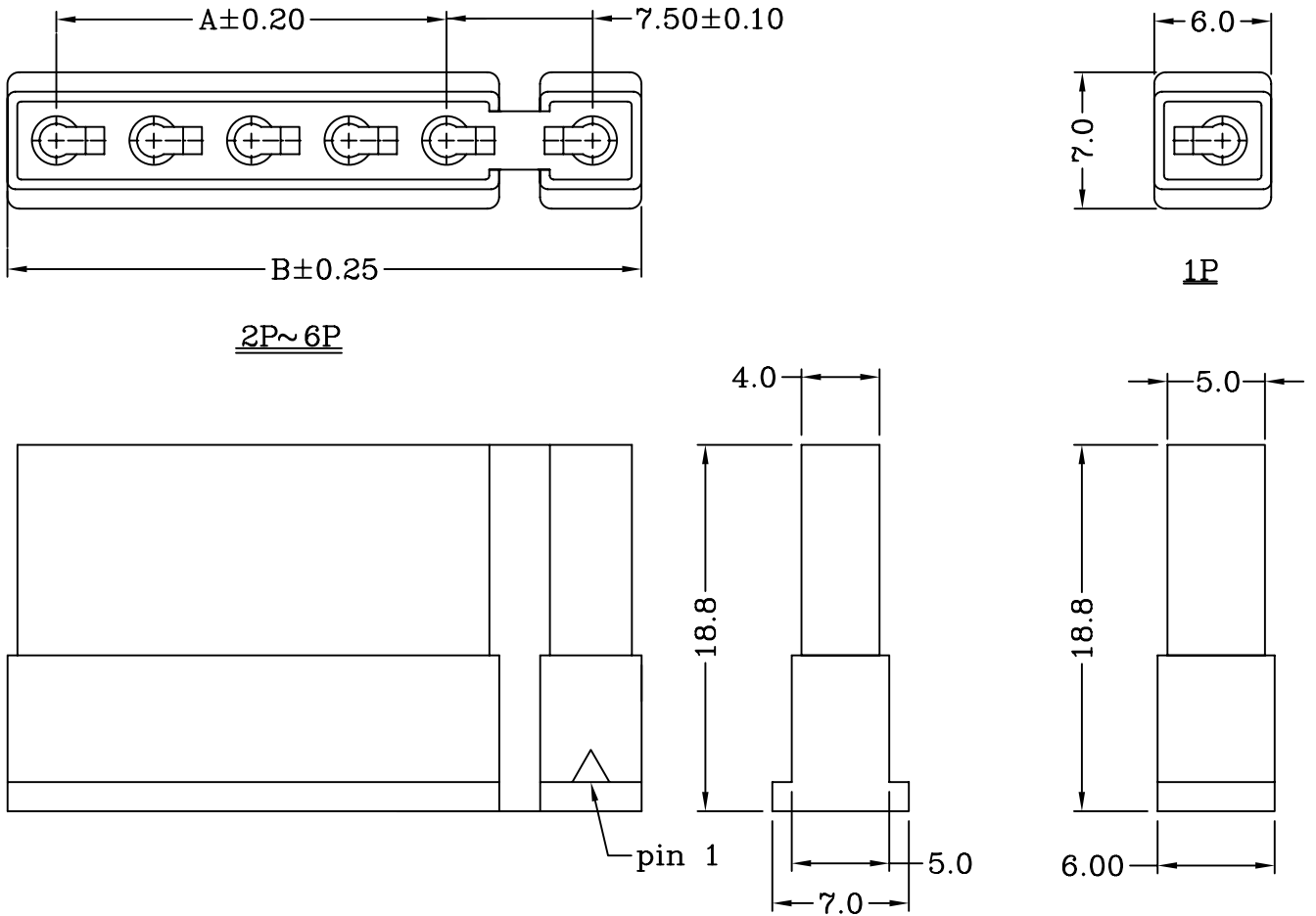
DOCUMENT NO.

RDE0121A

SERIAL NO.

A1561H00-NP

Material: Nylon 66 UL 94V-0



Dimensional & Ordering Information:

Circuits	Part No	Dimensions		Q'TY/BAG
		A	B	
1	A1561H00-1P	—	—	1000
2	A1561H00-2P	—	12.50	1000
3	A1561H00-3P	5.00	17.50	1000
4	A1561H00-4P	10.00	22.50	1000
5	A1561H00-5P	15.00	27.50	500
6	A1561H00-6P	20.00	32.50	500

REV.	ECN NO.	UNIT	TOLERANCE	PROJECTION	DRAWING	CHECK	APPROVAL
A	NEW DRAWING	mm	*** ±0.08		余望明	—————	邹朝辉
B			** ±0.15				
			* ±0.25				

深圳市占開科技有限公司

ShenZhen ZhanKai Technology CO.,LTD

TEL:0769-81802125

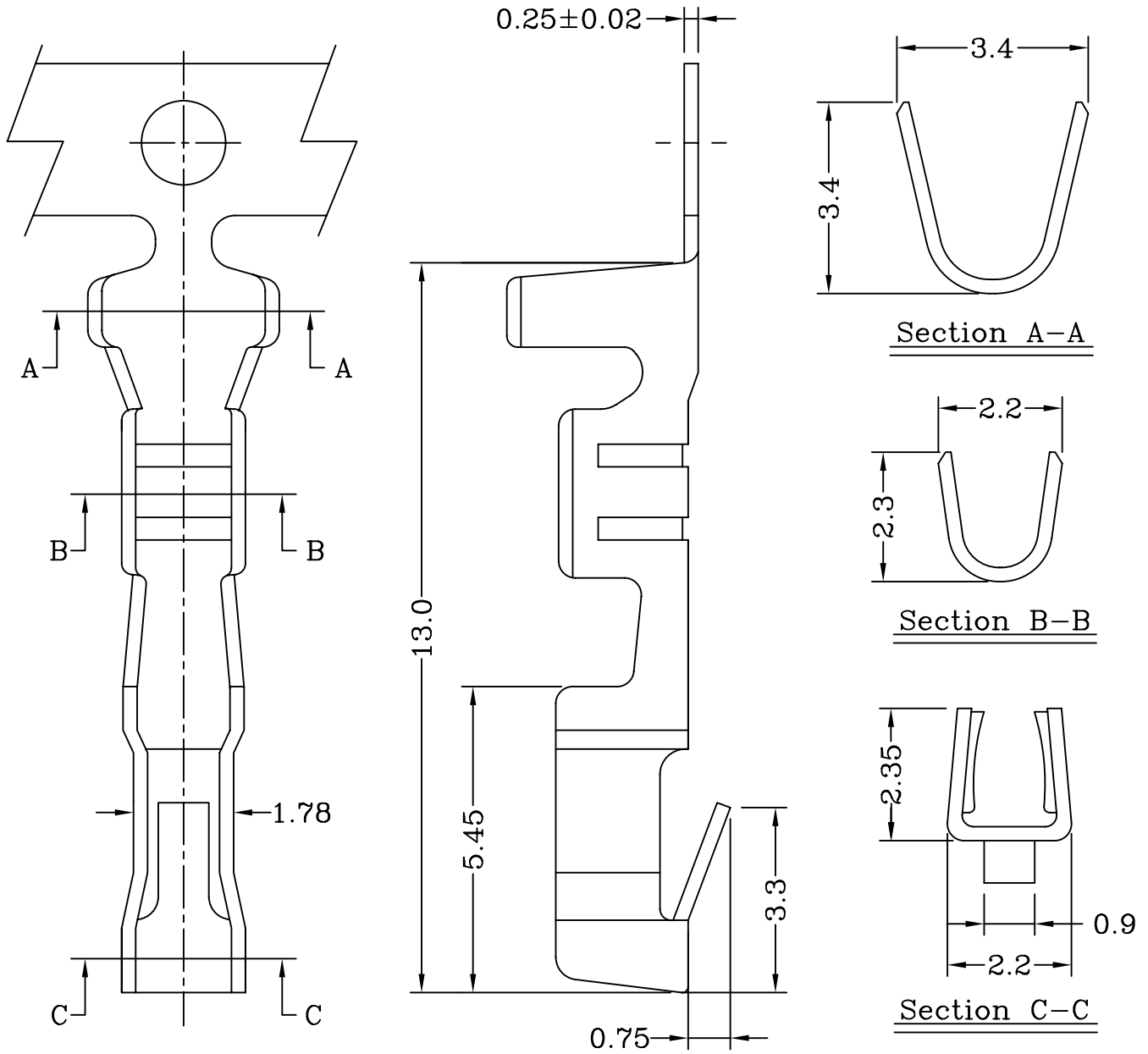
FAX:0768-81802126

DOCUMENT NO.

RDE0289A

SERIAL NO.

A1561T



Specifications & Ordering Information:

Part No	Wire Range	Insulation O.D.	Material	Finish	Qty/reel
A1561TOB-2	AWG #18~#24	2.45mm(max)	Brass	Tin-plated	6,000 PCS
A1561TOB-1	AWG #18~#24	2.45mm(max)	Brass	Ni-plated	6,000 PCS
A1561TOP-2	AWG #18~#24	2.45mm(max)	Phosphor bronze	Tin-plated	6,000 PCS

REV.	ECN NO.	UNIT	TOLERANCE	PROJECTION	DRAWING	CHECK	APPROVAL
△	NEW DRAWING	mm	*** ± 0.08		余望明	—————	邹朝辉
			** ± 0.15				
			* ± 0.25				