

深圳市占開科技有限公司

ShenZhen ZhanKai Technology CO.,LTD

TEL:0769-81802125

FAX:0769-81802126

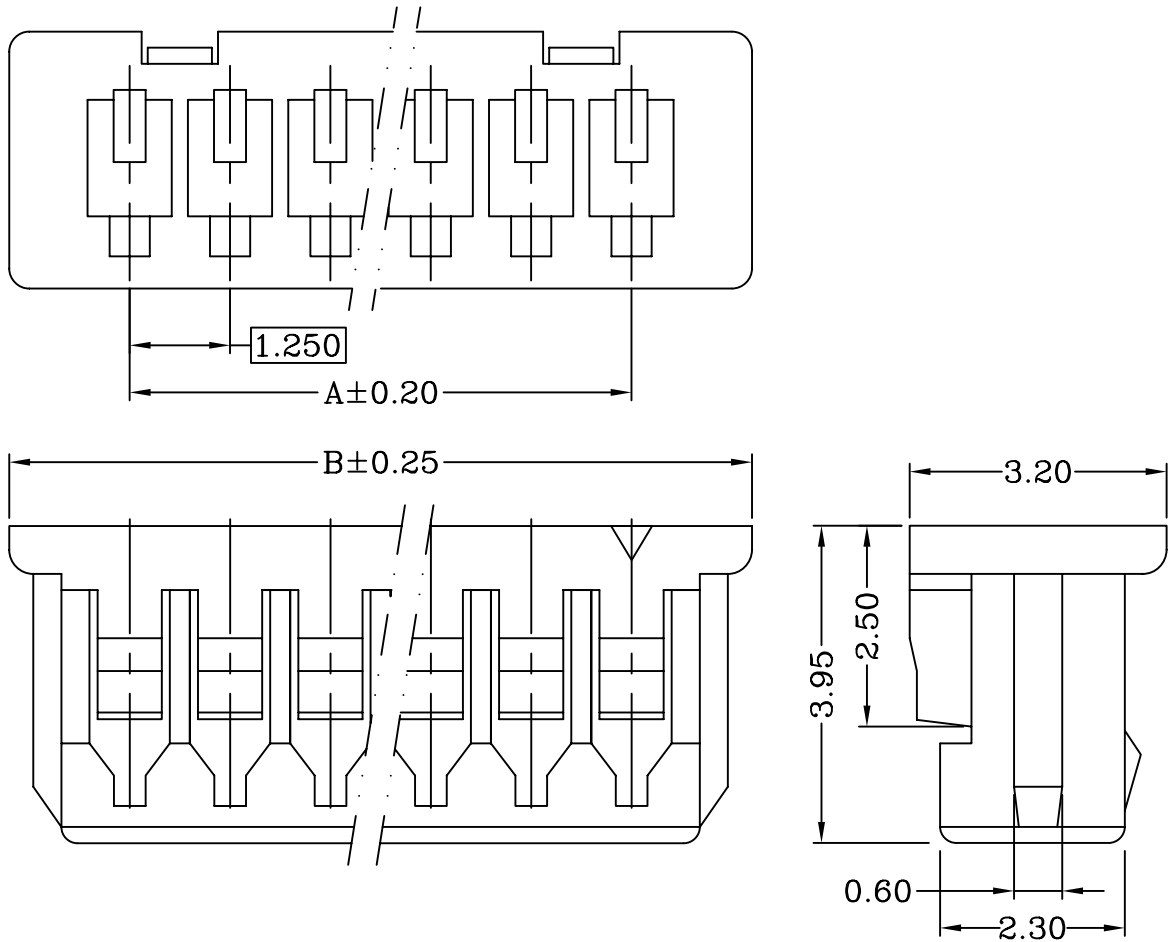
DOCUMENT NO.

RDE0063A

SERIAL NO.

A1251H

Material: PBT UL 94V-0



Dimensional & Ordering Information:

Circuits	Part No	Dimensions		PCS/BAG
		A	B	
2	A1251H00-2P	1.25	4.25	1000
3	A1251H00-3P	2.50	5.50	1000
4	A1251H00-4P	3.75	6.75	1000
5	A1251H00-5P	5.00	8.00	1000
6	A1251H00-6P	6.25	9.25	1000
7	A1251H00-7P	7.50	10.50	1000
8	A1251H00-8P	8.75	11.75	1000
9	A1251H00-9P	10.00	13.00	1000
10	A1251H00-10P	11.25	14.25	1000
11	A1251H00-11P	12.50	15.50	1000
12	A1251H00-12P	13.75	16.75	1000
13	A1251H00-13P	15.00	18.00	1000
14	A1251H00-14P	16.25	19.25	1000
15	A1251H00-15P	17.50	20.50	1000

REV.	ECN NO.	UNIT	TOLERANCE	PROJECTION	DRAWING	CHECK	APPROVAL
△	NEW DRAWING	mm	*** ±0.08		王昊	—	余望明
△			** ±0.15				
△			* ±0.25				

深圳市占開科技有限公司

ShenZhen ZhanKai Technology CO.,LTD

TEL:0769-81802125

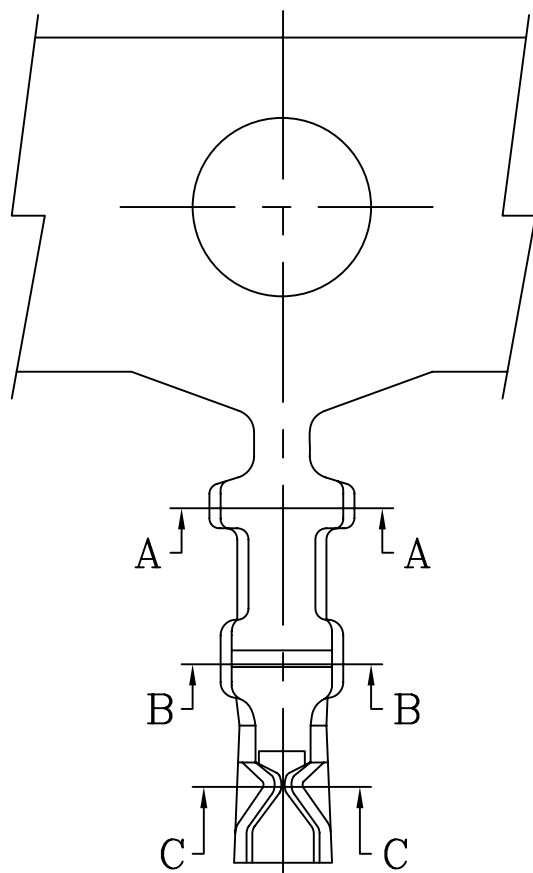
FAX:0769-81802126

DOCUMENT NO.

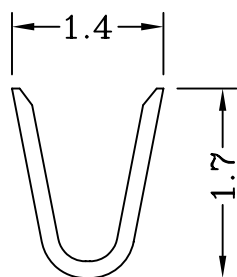
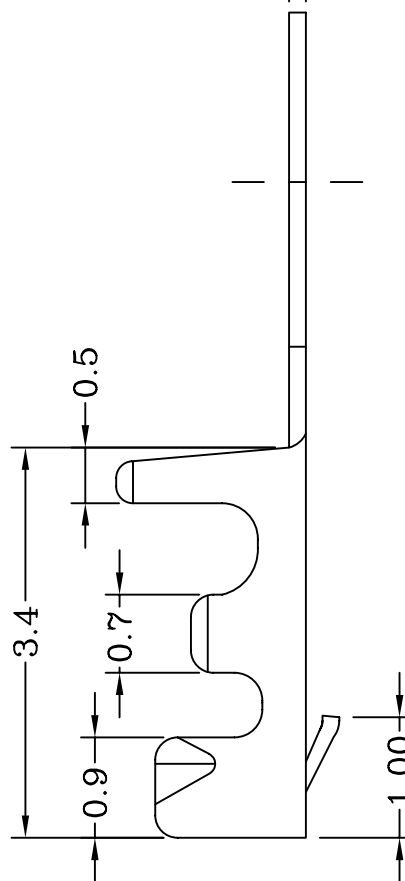
RDE0061A

SERIAL NO.

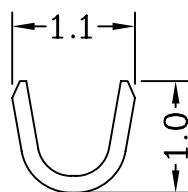
A1251T



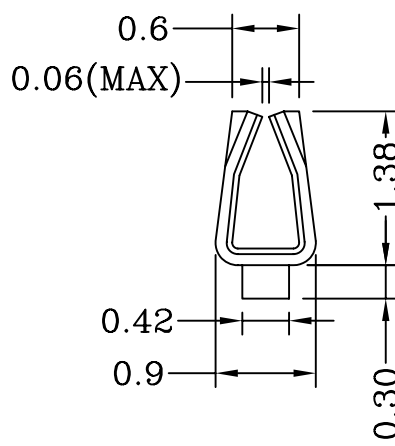
0.15 ± 0.015



Section A-A



Section B-B



Section C-C

Specification & Ordering Information:

Part No	Wire Range	Insulation O.D.	Material	Finish	Qty/reel
A1251TOP-2	AWG #28~#32	1.0mm(max)	Phosphor bronze	Tin-plated	15,000 pcs

REV.	ECN NO.	UNIT	TOLERANCE	PROJECTION	DRAWING	CHECK	APPROVAL
A	NEW DRAWING	mm	*** ± 0.08		王昊	—	余望明
B			** ± 0.15				
			* ± 0.25				

深圳市占開科技有限公司

ShenZhen ZhanKai Technology CO.,LTD

TEL:0769-81802125 FAX:0769-81802126

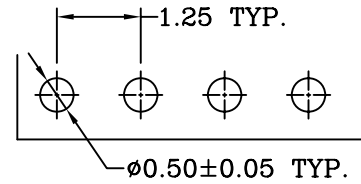
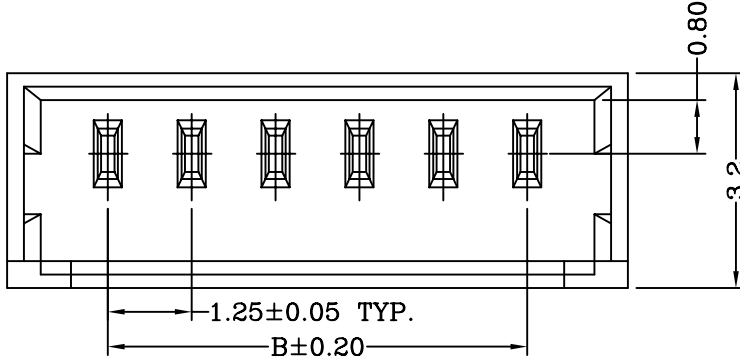
DOCUMENT NO.

RDE0298A

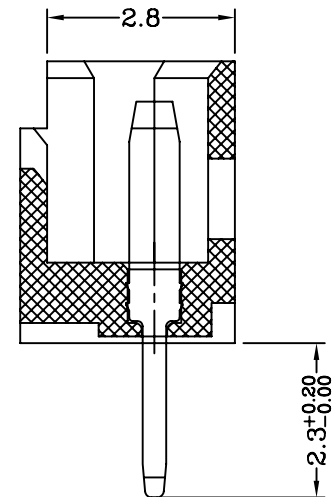
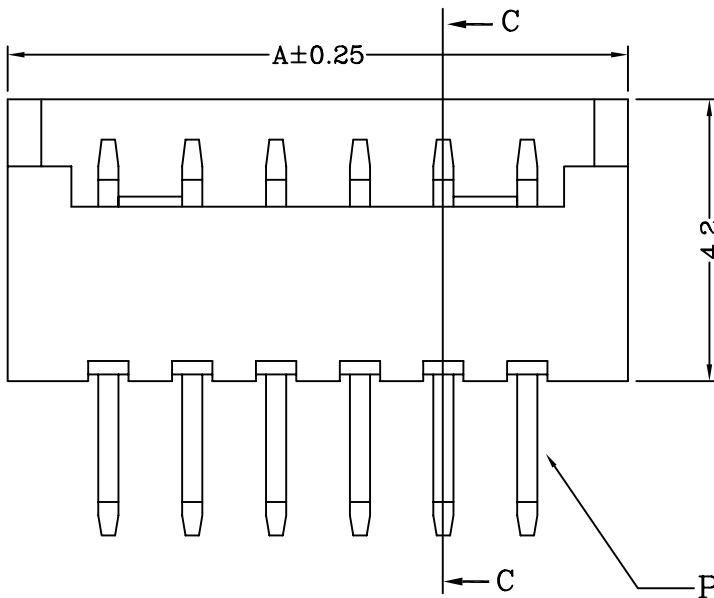
SERIAL NO.

A1251WV0-NP

* Material: Insulator: PBT 15% GF UL 94V-0 with (White)
Contact Post: Phosphor Bronze Tin Plated



P.C.B LAYOUT



SECTION C-C

Dimensional & Ordering Information:

Circuits	Part No	Dimensions		PCS/BAG
		A	B	
2	A1251WV0-2P	4.25	1.25	1000
3	A1251WV0-3P	5.50	2.50	1000
4	A1251WV0-4P	6.75	3.75	1000
5	A1251WV0-5P	8.00	5.00	1000
6	A1251WV0-6P	9.25	6.25	1000
7	A1251WV0-7P	10.50	7.50	1000
8	A1251WV0-8P	11.75	8.75	1000
9	A1251WV0-9P	13.00	10.00	1000
10	A1251WV0-10P	14.25	11.25	1000
11	A1251WV0-11P	15.50	12.50	1000
12	A1251WV0-12P	16.75	13.75	1000
13	A1251WV0-13P	18.00	15.00	1000
14	A1251WV0-14P	19.25	16.25	1000
15	A1251WV0-15P	20.50	17.50	1000

REV.	ECN NO.	UNIT	TOLERANCE	PROJECTION	DRAWING	CHECK	APPROVAL
A	NEW DRAWING	mm	*** ±0.08		王昊	—	余望明
B			** ±0.15				
			* ±0.25				

深圳市占開科技有限公司

ShenZhen ZhanKai Technology CO.,LTD

TEL:0769-81802125

FAX:0769-81802126

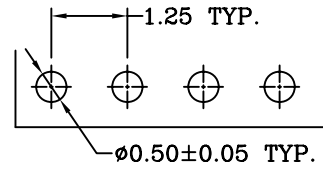
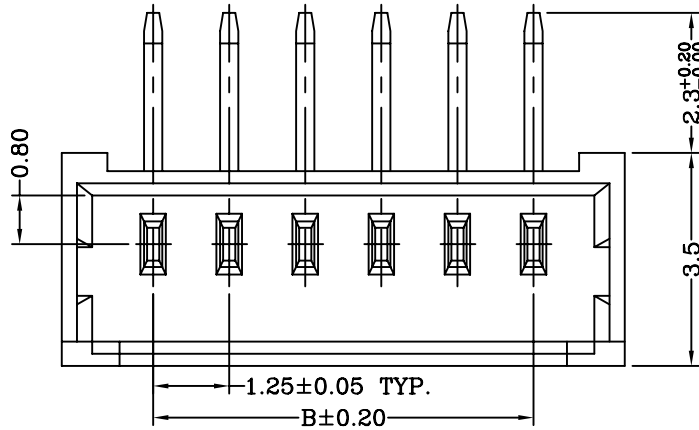
DOCUMENT NO.

RDE0359A

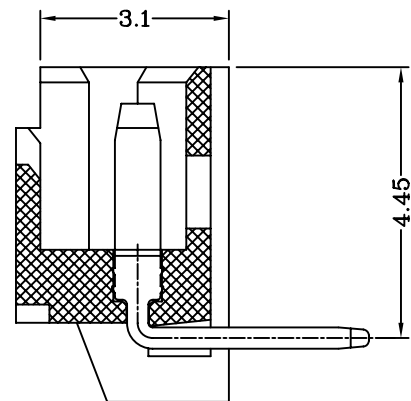
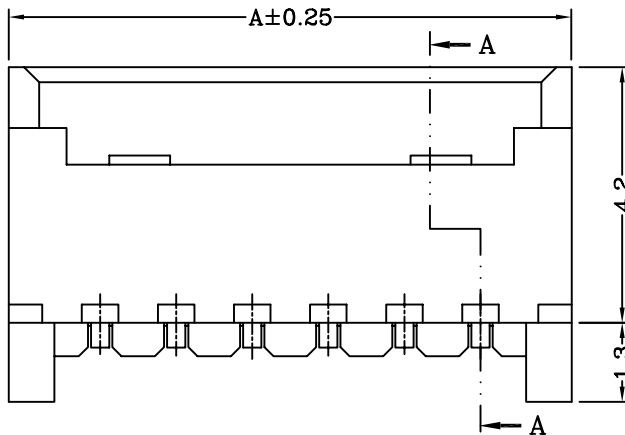
SERIAL NO.

A1251WR0-NP

* Material: Insulator: PBT UL 94V-0 with 15% GF (White)
Contact Post: Phosphor Bronze Tin Plated



P.C.B LAYOUT

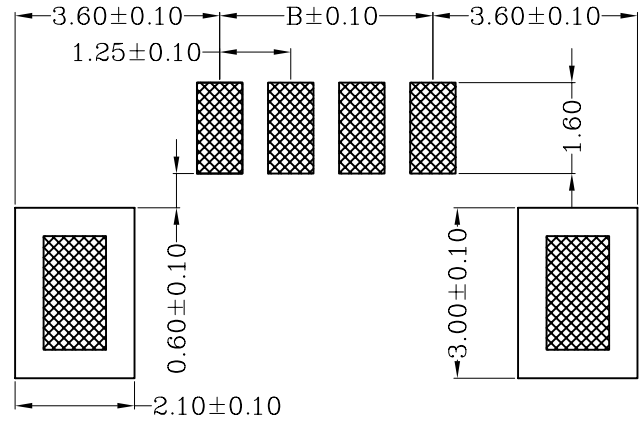
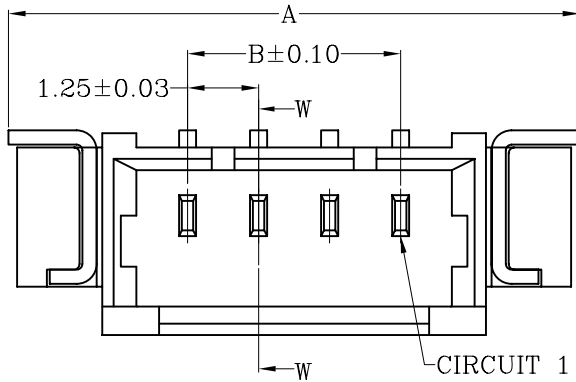


SECTION A-A

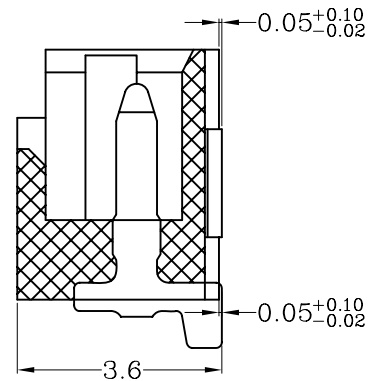
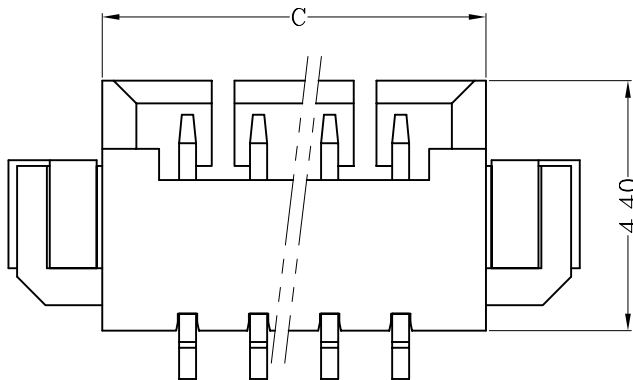
Dimensional & Ordering Information:

Circuits	Part No	Dimensions		PCS/BAG
		A	B	
2	A1251WR0-2P	4.25	1.25	1000
3	A1251WR0-3P	5.50	2.50	1000
4	A1251WR0-4P	6.75	3.75	1000
5	A1251WR0-5P	8.00	5.00	1000
6	A1251WR0-6P	9.25	6.25	1000
7	A1251WR0-7P	10.50	7.50	1000
8	A1251WR0-8P	11.75	8.75	1000
9	A1251WR0-9P	13.00	10.00	1000
10	A1251WR0-10P	14.25	11.25	1000
11	A1251WR0-11P	15.50	12.50	1000
12	A1251WR0-12P	16.75	13.75	1000
13	A1251WR0-13P	18.00	15.00	1000
14	A1251WR0-14P	19.25	16.25	1000
15	A1251WR0-15P	20.50	17.50	1000

Material: Insulator: Thermal Plasticity Resin UL 94V-0
 Contact Post: Phosphor Bronze 0.30mm^t, Matte Tin Plated.
 Solder Tab: Brass 0.25mm^t, Matte Tin Plated.



P.C.B LAYOUT



SEC: W-W

Dimensional & Ordering Information:

Circuits	Part No	Dimensions			PCS/BAG
		A	B	C	
2	A1251WR0-2PS	7.55	—	4.25	1000
3	A1251WR0-3PS	8.80	2.50	5.50	1000
4	A1251WR0-4PS	10.05	3.75	6.75	1000
5	A1251WR0-5PS	11.30	5.00	8.00	1000
6	A1251WR0-6PS	12.55	6.25	9.25	1000
7	A1251WR0-7PS	13.80	7.50	10.50	1000
8	A1251WR0-8PS	15.05	8.75	11.75	1000
9	A1251WR0-9PS	16.30	10.00	13.00	1000
10	A1251WR0-10PS	17.55	11.25	14.25	1000
11	A1251WR0-11PS	18.80	12.50	15.50	1000
12	A1251WR0-12PS	20.05	13.75	16.75	1000
13	A1251WR0-13PS	21.30	15.00	18.00	1000
14	A1251WR0-14PS	22.55	16.25	19.25	1000
15	A1251WR0-15PS	23.80	17.50	20.50	1000